

Tension levers flat

internal thread, stainless steel



Material:

Steel parts stainless steel 1.4305.
Ball knob black plastic.

Version:

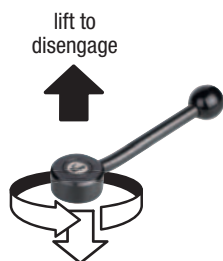
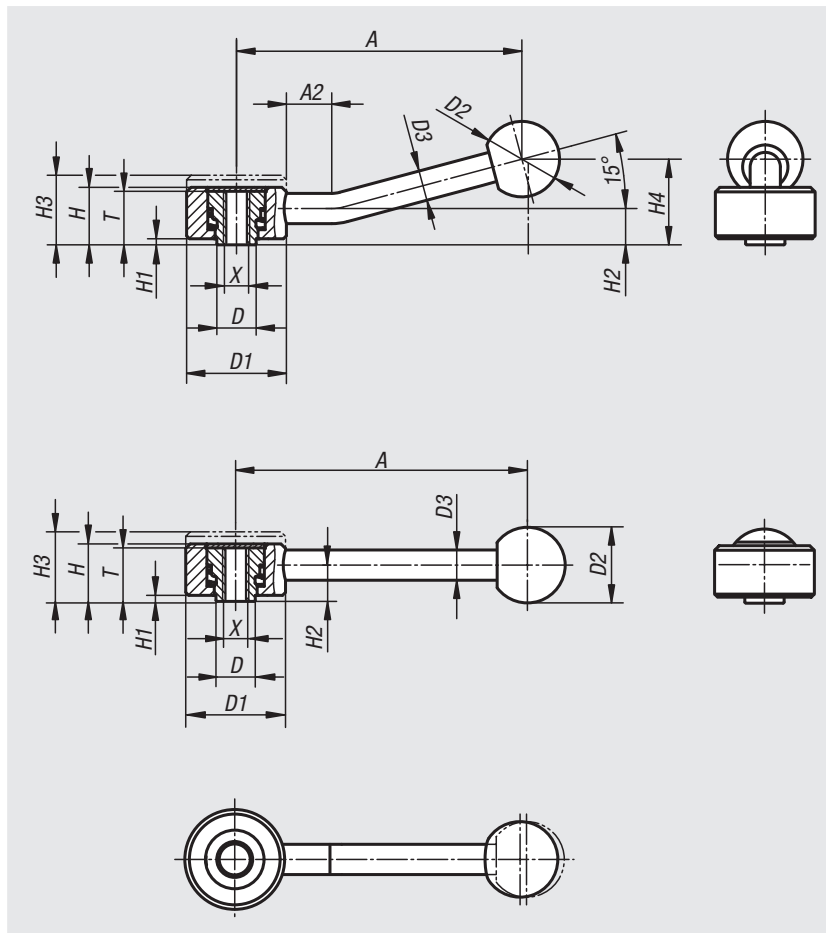
Steel parts bright.

Sample order:

nIm 06391-1081

On request:

Other threads and special versions.
Dimensions "H1" and "A" available in other lengths at extra charge.



Order No. 0°	Order No. 15°	X	A=Handle length	A2	D	D1	D2	D3	H	H1	H2	H3	H4	No. of teeth	T
06391-1081	06391-1082	M8	102/100	-/15	13,5	33	25	10	19	2	12	23	-/29	26	18
06391-2101	06391-2102	M10	131/127	-/15	19	41	30	12	22	2	13,5	26	-/38	30	21
06391-2121	06391-2122	M12	131/127	-/15	19	41	30	12	22	2	13,5	26	-/38	30	21
06391-3161	06391-3162	M16	148/145	-/15	23	45	37	14	28	2	17	33	-/48	36	27