

Tension levers flat

internal thread



Material:

Steel parts grade 5.8.
Ball knob black plastic.

Version:

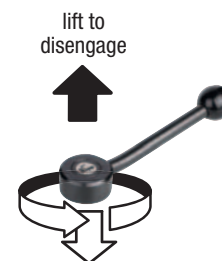
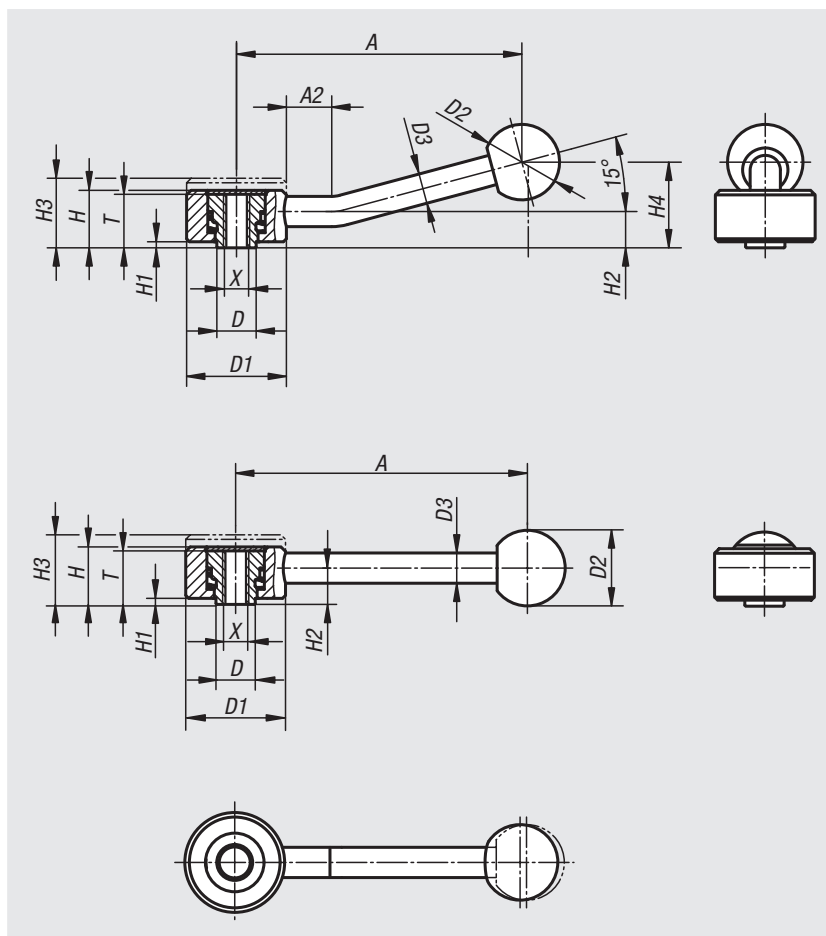
Black oxidised.

Sample order:

nIm 06390-1061

On request:

Other threads and special versions.
Dimensions "H1" and "A" available in other lengths
at extra charge.



Order No. 0°	Order No. 15°	X	T	A=Handle length	A2	D	D1	D2	D3	H	H1	H2	H3	H4	No. of teeth
06390-1061	06390-1062	M6	18	102/100	-15	13,5	33	25	10	19	2	12	23	-/29	26
06390-1081	06390-1082	M8	18	102/100	-15	13,5	33	25	10	19	2	12	23	-/29	26
06390-2101	06390-2102	M10	21	131/127	-15	19	41	30	12	22	2	13,5	26	-/38	30
06390-2121	06390-2122	M12	21	131/127	-15	19	41	30	12	22	2	13,5	26	-/38	30
06390-3121	06390-3122	M12	27	148/145	-15	23	45	37	14	28	2	17	33	-/48	36
06390-3161	06390-3162	M16	27	148/145	-15	23	45	37	14	28	2	17	33	-/48	36

01000 02000 03000 04000 05000 06000 07000 08000 09000 10000 12000