

Tension levers safety

external thread



Material:

Steel parts grade 5.8.
Ball knob black plastic.

Version:

Powder-coated with fine texture, black.

Sample order:

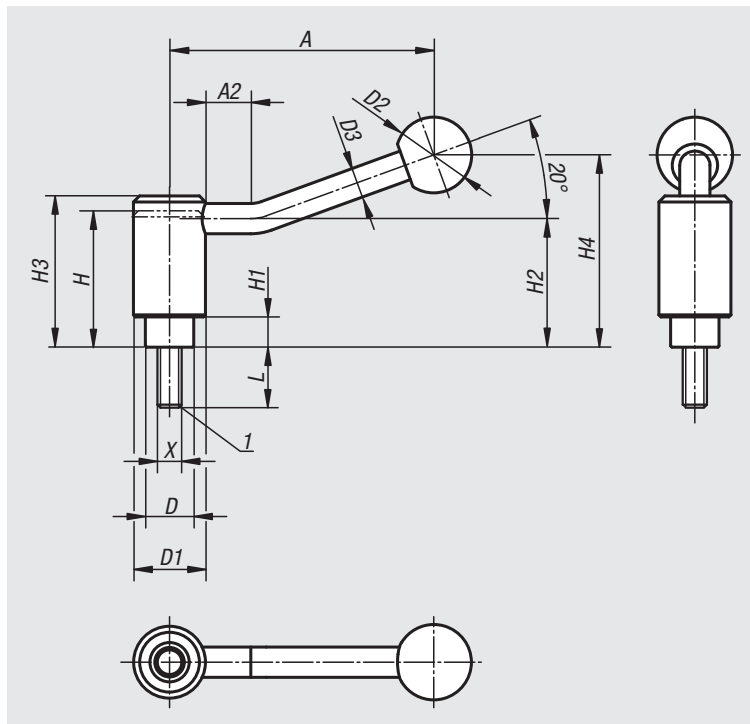
nIm 06383-1108X30 (include length L)

Method of operation:

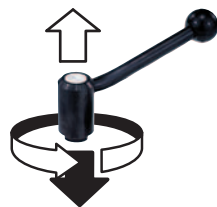
Press the handle down until the teeth are fully engaged.
The object can now be clamped or released. Spring pressure pushes the handle up disengaging the teeth and thereby restoring the safety function (handle can be rotated without engaging).

On request:

Other threads, screw lengths and special versions.
Dimensions "H1" and "A" available in other lengths at extra charge.



press to
engage
(safety function)



Order No.	X	A=Handle length	A2	D	D1	D2	D3	H	H1	H2	H3	H4	No. of teeth	L
06383-1108X	M8	88	15	16	24	25	10	44,5	9,5	49,3	49,5	63,5	22	20/25/30/40/50/60
06383-1110X	M10	88	15	16	24	25	10	44,5	9,5	49,3	49,5	63,5	22	20/25/30/40/50/60
06383-1112X	M12	88	15	16	24	25	10	44,5	9,5	49,3	49,5	63,5	22	20/25/30/40/50/60
06383-1212X	M12	106	15	19	28	32	12	51	10,5	56,3	56,5	74	24	20/25/30/40/50/60
06383-1312X	M12	128,5	15	23	33	32	13	57,5	12,5	64,5	64,5	87,5	26	25/30/40/50/60
06383-1316X	M16	128,5	15	23	33	32	13	57,5	12,5	64,5	64,5	87,5	26	25/30/40/50/60