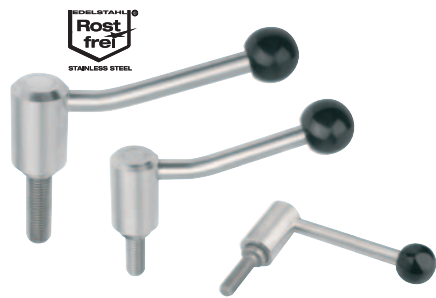


## Tension levers

external thread, stainless steel



**Material:**

Steel parts stainless steel 1.4305.  
Ball knob black plastic.

**Version:**

Stainless steel parts bright.  
Ball knob polished.

**Sample order:**

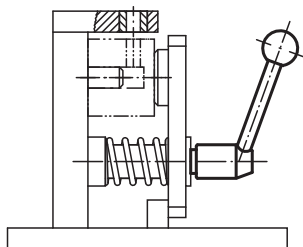
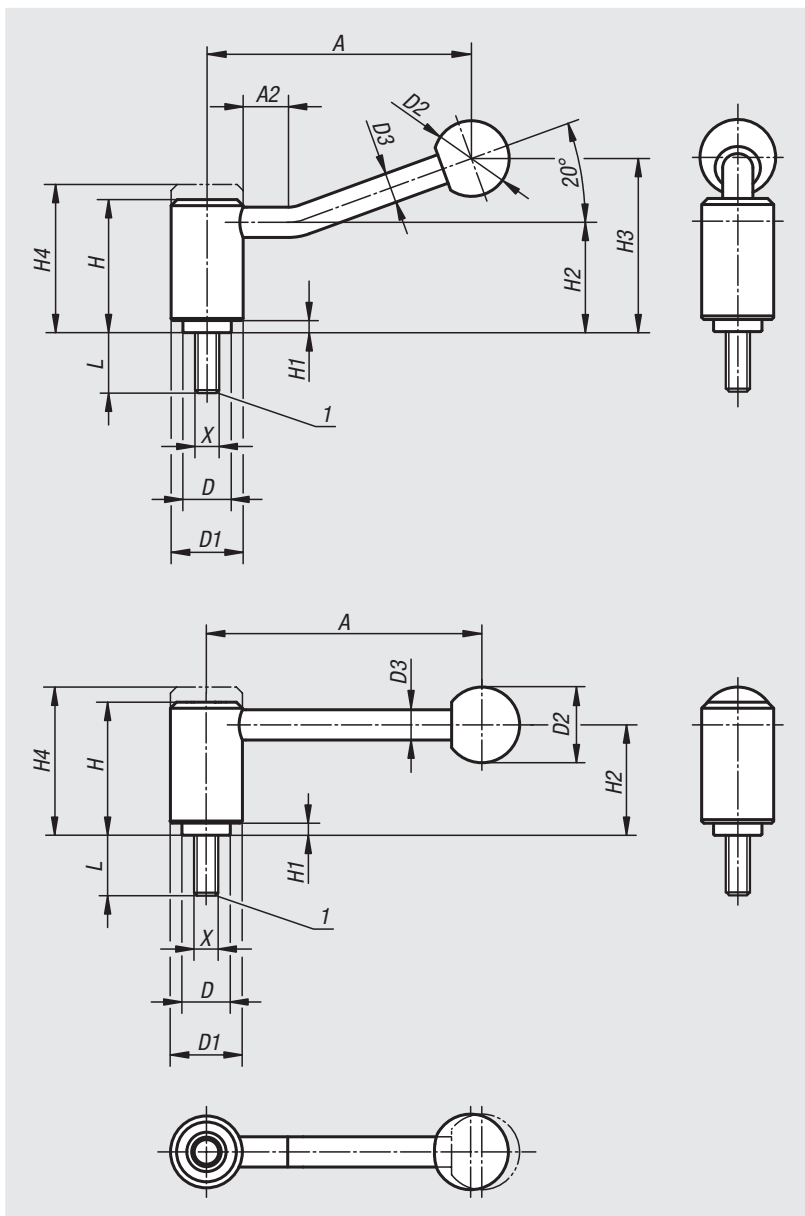
nIm 06381-1082X30 (include length L)

**On request:**

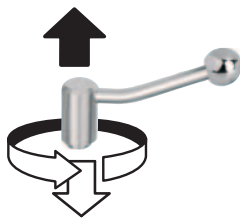
Other threads, screw lengths and special versions.  
Dimensions "H1" and "A" available in other lengths at extra charge.

**Drawing reference:**

1) flat point DIN 78



lift to disengage



Order No. 0°	Order No. 20°	X	A=Handle length	A2	D	D1	D2	D3	H	H1	H2	H3	H4	L	No. of teeth
06381-1082X	06381-1081X	M8	92/88	-/15	16	24	25	10	44,5	4,5	37	-/58,5	49,5	15/20/25/30/40/50/60	22
06381-1102X	06381-1101X	M10	92/88	-/15	16	24	25	10	44,5	4,5	37	-/58,5	49,5	15/20/25/30/40/50/60	22
06381-1122X	06381-1121X	M12	92/88	-/15	16	24	25	10	44,5	4,5	37	-/58,5	49,5	15/20/25/30/40/50/60	22
06381-2122X	06381-2121X	M12	111/106	-/15	19	28	32	12	51,5	5,5	42	-/68,5	57,5	20/25/30/40/50/60	24
06381-3122X	06381-3121X	M12	134,5/128,5	-/15	23	33	32	13	58	6	47	-/81	65	20/25/30/40/50/60/70/80/90	26
06381-3162X	06381-3161X	M16	134,5/128,5	-/15	23	33	32	13	58	6	47	-/81	65	20/25/30/40/50/60/70/80/90	26
06381-4162X	06381-4161X	M16	134/128,5	-/15	30	41	32	13	68,5	7,5	56,5	-/89,5	76,5	30/40/50/60/70/80/90	36
06381-4202X	06381-4201X	M20	134/128,5	-/15	30	41	32	13	68,5	7,5	56,5	-/89,5	76,5	30/40/50/60/70/80/90	36