

Tension levers

internal thread, stainless steel



Material:

Steel parts stainless steel 1.4305.
Ball knob black plastic.

Version:

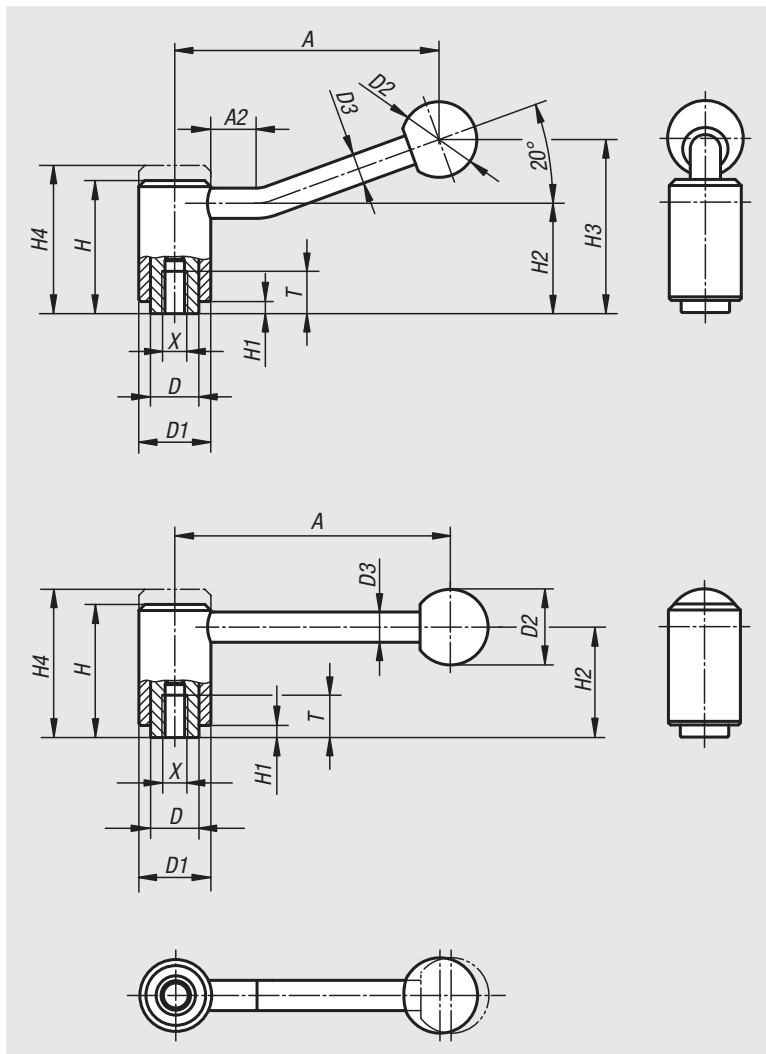
Stainless steel parts bright.
Ball knob polished.

Sample order:

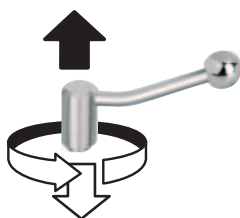
nlm 06371-1082

On request:

Other threads and special versions.
Dimensions "H1" and "A" available in other lengths at extra charge.



lift to disengage



Order No. 0°	Order No. 20°	X	T	A=Handle length	A2	D	D1	D2	D3	H	H1	H2	H3	H4	No. of teeth
06371-1082	06371-1081	M8	14	92/88	-/15	16	24	25	10	44,5	4,5	37	-/58,5	49,5	22
06371-1102	06371-1101	M10	14	92/88	-/15	16	24	25	10	44,5	4,5	37	-/58,5	49,5	22
06371-2102	06371-2101	M10	17	111/106	-/15	19	28	32	12	51,5	5,5	42	-/68,5	57,5	24
06371-2122	06371-2121	M12	17	111/106	-/15	19	28	32	12	51,5	5,5	42	-/68,5	57,5	24
06371-3122	06371-3121	M12	23	134,5/128,5	-/15	23	33	32	13	58	6	47	-/81	65	26
06371-3162	06371-3161	M16	23	134,5/128,5	-/15	23	33	32	13	58	6	47	-/81	65	26
06371-4162	06371-4161	M16	27	134/128,5	-/15	30	41	32	13	68,5	7,5	56,5	-/89,5	76,5	36
06371-4202	06371-4201	M20	27	134/128,5	-/15	30	41	32	13	68,5	7,5	56,5	-/89,5	76,5	36