

# Handles



**Material:**

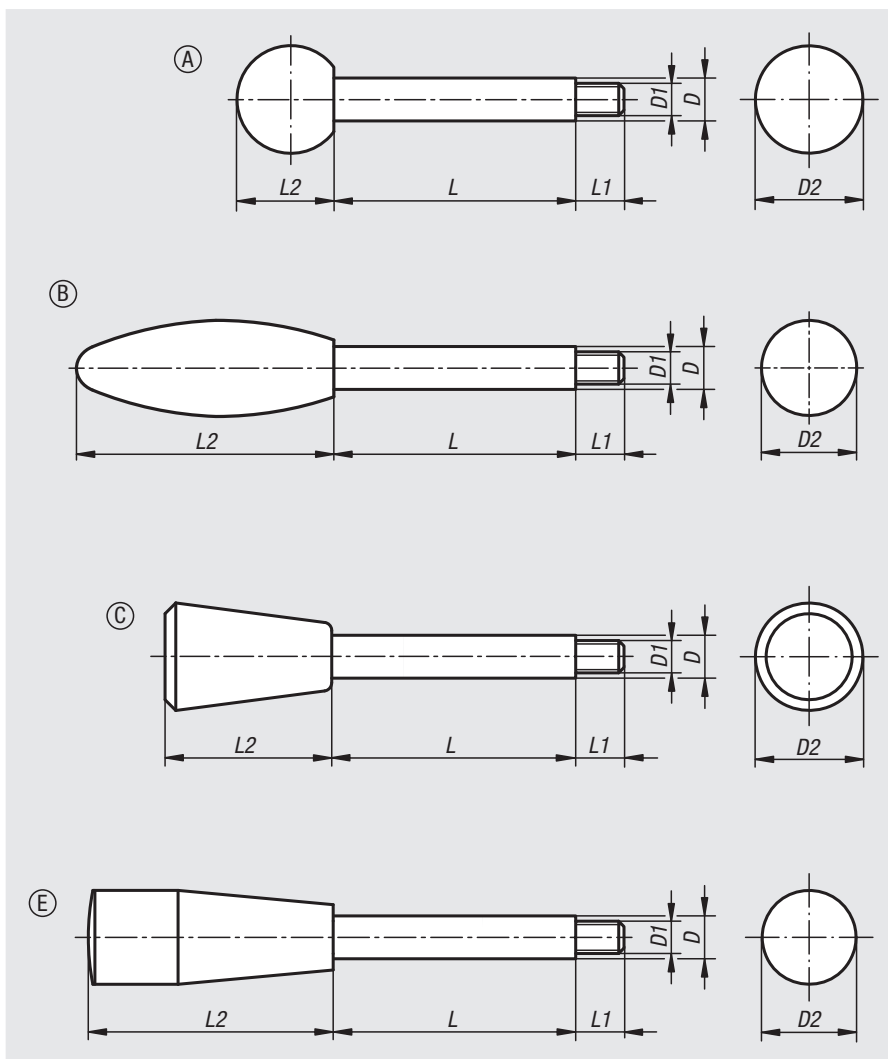
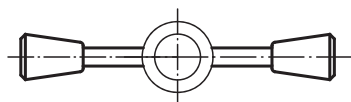
Knobs thermoset PF 31.  
Rod steel 1.0718 or stainless steel 1.4305.

**Version:**

Thermoset black, high-gloss polished.  
Steel black oxidised or bright stainless steel.

**Sample order:**

nIm 06360-208X35 (include length L)



Order No. steel	Order No. stainless steel	Form	D	D1	D2	L	L1	L2
06360-208X	06360-1208X	A	8	M6	20	35/50/65	9	18
06360-210X	06360-1210X	A	10	M8	25	50/65/80/100	13	23
06360-212X	06360-1212X	A	12	M10	32	65/80/100/125	15	29
06360-214X	06360-1214X	A	14	M12	36	80/100/125/160	16	33
06360-708X	06360-1708X	B	8	M6	23	35/50/65	9	60
06360-710X	06360-1710X	B	10	M8	26	50/65/80/100	13	70
06360-712X	06360-1712X	B	12	M10	35	65/80/100/125	15	85
06360-714X	06360-1714X	B	14	M12	35	80/100/125/160	16	85
06360-408X	06360-1408X	C	8	M6	20	35/50/65	9	31
06360-410X	06360-1410X	C	10	M8	25	50/65/80/100	13	38
06360-412X	06360-1412X	C	12	M10	30	65/80/100/125	15	46
06360-414X	06360-1414X	C	14	M12	35	80/100/125/160	16	53
06360-608X	06360-1608X	E	8	M6	17	35/50/65	9	45
06360-610X	06360-1610X	E	10	M8	23	50/65/80/100	13	61
06360-612X	06360-1612X	E	12	M10	29	65/80/100/125	15	71
06360-614X	06360-1614X	E	14	M12	29	80/100/125/160	16	71

01000 02000 03000 04000 05000 06000 07000 08000 09000 10000 12000