

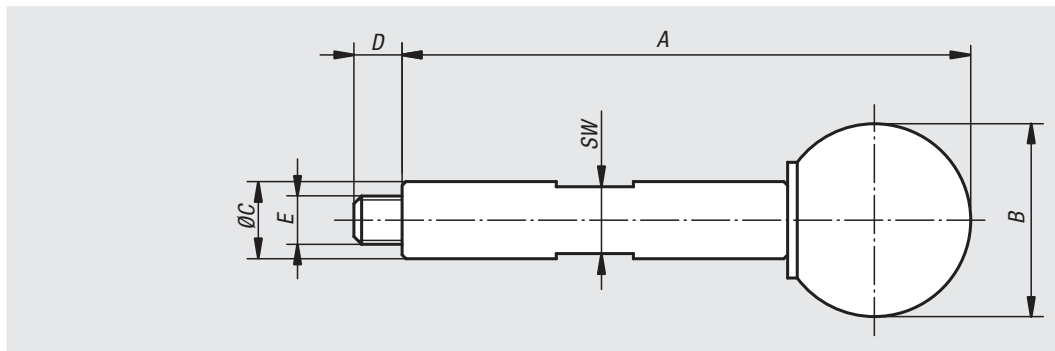
## Handles screw-in



**Material:**  
Grip carbon steel.  
Ball knob thermoset PF 31.

**Version:**  
Grip, black oxidised.  
Ball knob, black.

**Sample order:**  
nlm 06355-05059



Order No.	A	B	C	D	E	SW
06355-05059	59	20	8	5	M5	7
06355-06089	89	25	10	6	M6	8

## Handles screw-in

with torque limit



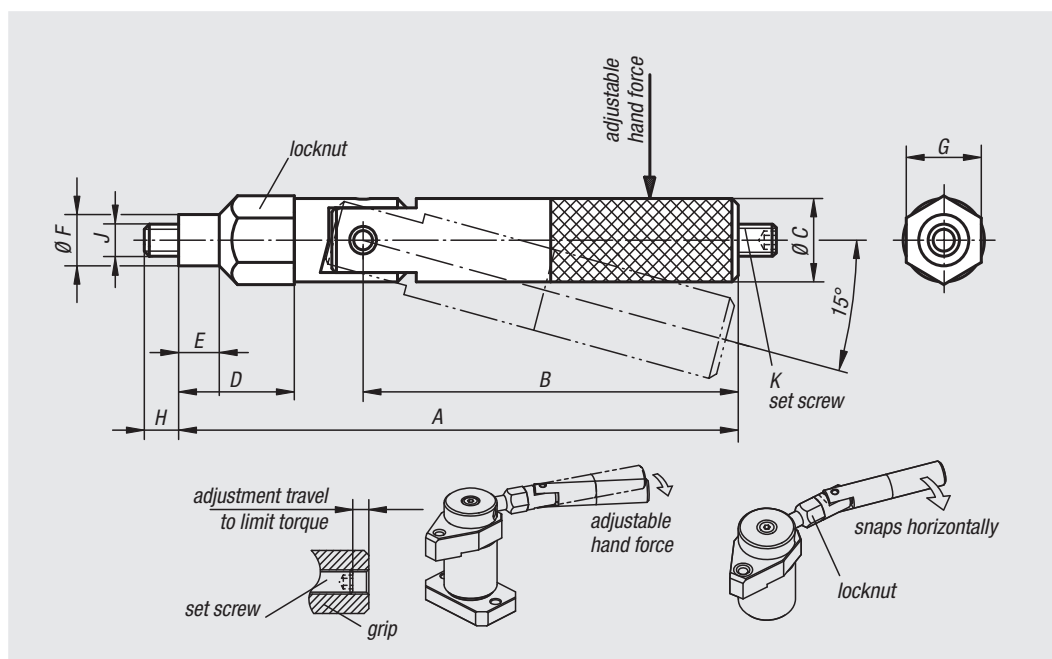
**Material:**  
Carbon steel.

**Version:**  
Hardened, black oxidised.

**Sample order:**  
nlm 06357-05090

**Note:**  
The desired clamping force can be set by using the set screw to alter the torque. The handle snaps 15° when the set torque is achieved.

**Note:**  
Ensure that the handle is set to snap horizontally.



Order No.	A	B	C	D	E	F	G	H	J	K	Hand force FH N
06357-05090	89,5	60	13	18,5	6,5	8	12	5,5	M5	M5x16	0-150
06357-06119	119	84	15	23	8	10	14	6,5	M6	M6x20	0-200