

# Lock grips

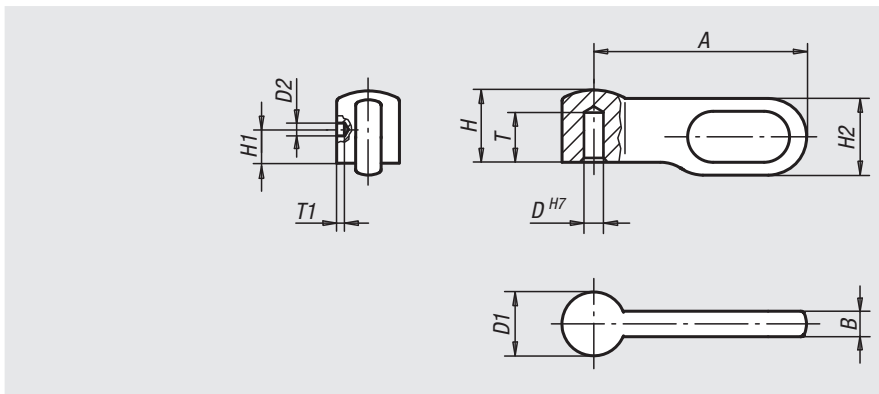


**Material:**  
Stainless steel 1.4308 or steel.

**Version:**  
Stainless steel bright.  
Steel black oxidised.

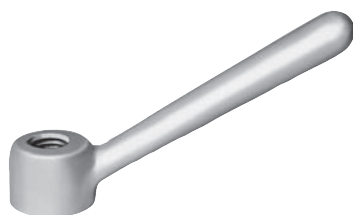
**Sample order:**  
nlm 06349-1040

**Note:**  
Lock grips can be used as required. The styled design with recessed grip gives fingers a good purchase and is well suited to modern requirements. High clamping forces can be easily attained. Use the pilot hole in the side to secure the grip by pinning or screw.



Order No.	Main material	Size	A	B	D	D1	D2	H	H1	H2	T	T1
06349-1040	stainless steel	1	25	3	4	7,5	1,5	8,5	3	9	5,5	0,5
06349-2050	stainless steel	2	30	3,6	5	9	2	10,2	4	10,8	6,5	1
06349-3060	stainless steel	3	40	4,8	6	12	2	13,6	5	14,4	8,7	1
06349-4080	stainless steel	4	50	6	8	15	3	17	6	18	10,2	1
06349-1041	steel	1	25	3	4	7,5	1,5	8,5	3	9	5,5	0,5
06349-2051	steel	2	30	3,6	5	9	2	10,2	4	10,8	6,5	1
06349-3061	steel	3	40	4,8	6	12	2	13,6	5	14,4	8,7	1
06349-4081	steel	4	50	6	8	15	3	17	6	18	10,2	1

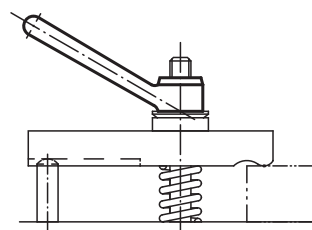
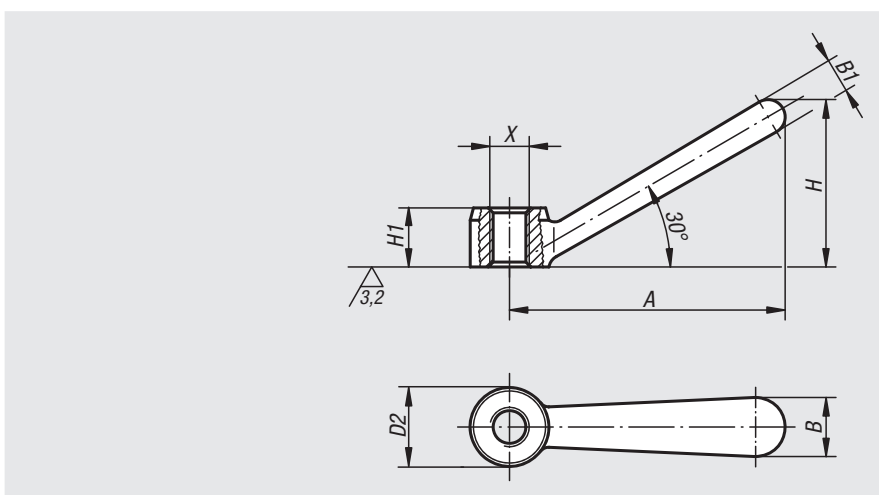
# Tension levers



**Material:**  
GJMW 400 malleable cast iron

**Version:**  
Vibratory ground.  
Bright.

**Sample order:**  
nlm 06350-16



Order No.	X	A=Handle length	B	B1	D2	H	H1
06350-08	M8	56	12	7	16	34	12
06350-10	M10	70	14	9	20	42,5	14
06350-12	M12	87	18	11	25	53	18
06350-16	M16	109	22	15	32	66,5	24
06350-20	M20	140	28	18	40	84,5	28