

Tension lever



Material:

Steel parts grade 5.8.
Ball knob black plastic.

Version:

Black oxidised.

Sample order:

nIm 06340-208

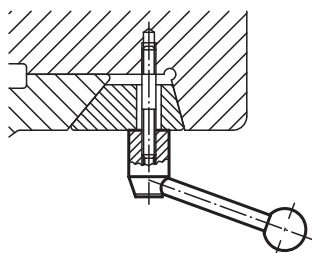
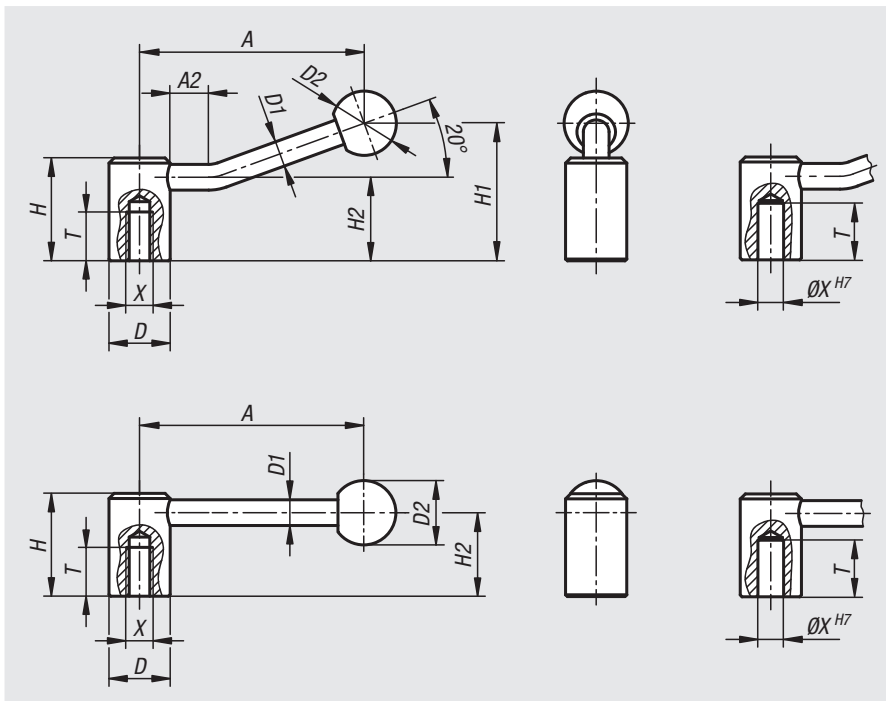
Note:

Tension levers can be used for simple clamping or control operations.

Where applicable, there must be enough space available so that the grip can be rotated 360°.

On request:

Other internal threads, reamed holes and special versions.
Dimension "A" available in other lengths at extra charge.



Order No. 0°	Order No. 20°	Kind of fastening	X	T	A=Handle length	A2	D	D1	D2	H	H1	H2
06340-2082	06340-208	internal thread	M8	18	88,1/84,5	-/15	24	10	25	40	-/52,5	32,5
06340-2102	06340-210	internal thread	M10	18	88,1/84,5	-/15	24	10	25	40	-/52,5	32,5
06340-21012	06340-2101	internal thread	M10	20	104/100	-/15	28	12	32	46	-/61	36,5
06340-2122	06340-212	internal thread	M12	20	104/100	-/15	28	12	32	46	-/61	36,5
06340-2162	06340-216	internal thread	M16	23	126,5/121	-/15	33	13	32	52	-/72	41
06340-2202	06340-220	internal thread	M20	26	128,5/123	-/15	41	13	32	61	-/80	49
06340-1102	06340-110	reamed hole	10	22	88,1/84,5	-/15	24	10	25	40	-/52,5	32,5
06340-1122	06340-112	reamed hole	12	25	104/100	-/15	28	12	32	46	-/61	36,5
06340-1142	06340-114	reamed hole	14	25	104/100	-/15	28	12	32	46	-/61	36,5
06340-1162	06340-116	reamed hole	16	28	126,5/121	-/15	33	13	32	52	-/72	41
06340-1202	06340-120	reamed hole	20	32	128,5/123	-/15	41	13	32	61	-/80	49

01000 02000 03000 04000 05000 06000 07000 08000 09000 10000 12000