

Levers 20°

DIN 99



Material:

Steel.

Version:

Polished.

Sample order:

nln 06330-212

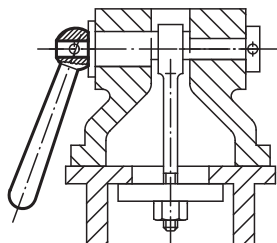
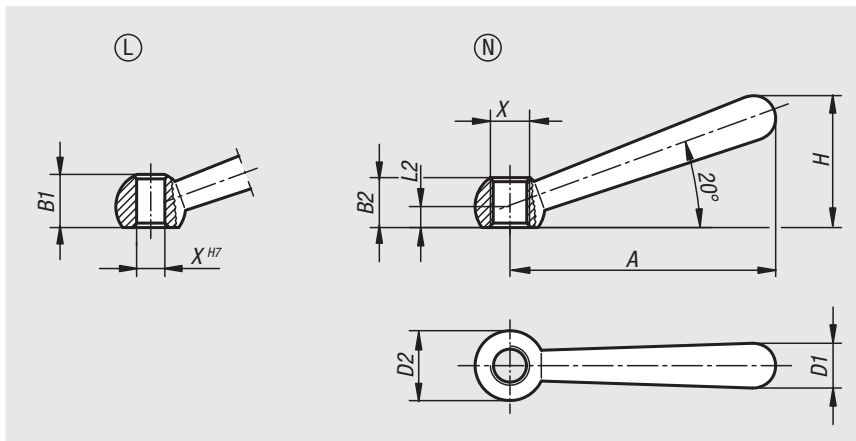
Note:

To fix the lever to another element, gluing is often more cost-effective than pinning.

Drawing reference:

Form L: with hole

Form N: with internal thread



Order No. Form L	Order No. Form N	X	A=Handle length	B1	B2	D1	D2 ball	H	L2
06330-106	06330-206	6/M6	48	9,5/-	-/9,5	8	12	24	4
06330-108	06330-208	8/M8	60	12/-	-/12	10	16	30,5	5
06330-110	06330-210	10/M10	76	14,5/-	-/14,5	13	20	38	6
06330-112	06330-212	12/M12	95	18,5/-	-/18,5	16	25	47	7,5
06330-116	06330-216	16/M16	119	24/-	-/24	20	32	59,5	10
06330-120	06330-220	20/M20	152	30/-	-/30	25	40	75,5	12,5