

Safety cylindrical grips, plastic

auto-return



Cylindrical grips are supplied assembled and can be screwed onto handwheels, crank handles, etc. The grooves and conical shape ensure that the cylindrical grips have optimised haptics and good grip. The auto-return mechanism prevents protruding edges, which also minimises the risk of injury.

Material:

Grip, thermoplastic.
Centre pin, steel.

Version:

Grip, black.
Steel parts, black oxidised.

Sample order:

nIm 06328-01-104

Note:

Two actions must be made to bring the safety cylinder grip into an operating position:

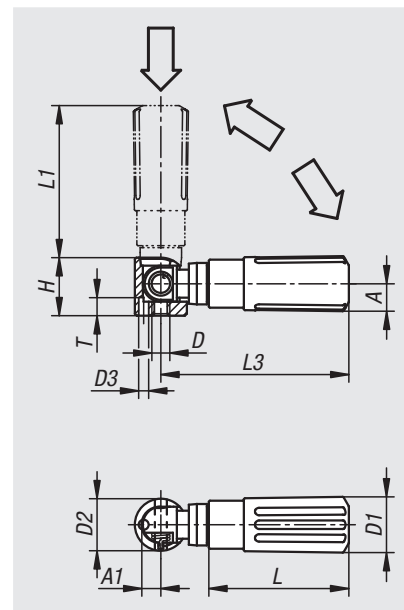
- Swing the grip out around the pivot shaft until it stops (90°).
- Push the grip in an axial direction into the lock position.

The grip swivels back automatically after releasing.

The hole D3 is used as a location hole.

Advantages:

Optimised haptics and good grip
Grips for handwheels and cranks
Auto-return after release
Various thread sizes



Safety cylindrical grips, plastic auto-return

| Order No. | Size | A | A1 | D | D1 | D2 | D3 | H | L | L1 | L3 | T |
|--------------|------|------|-----|----|----|----|-----|------|----|------|------|-----|
| 06328-01-104 | 1 | 8 | 4,3 | M4 | 14 | 13 | 2,5 | 14,5 | 35 | 38 | 47 | 4,5 |
| 06328-01-205 | 2 | 10 | 5,3 | M5 | 16 | 16 | 3,5 | 18 | 44 | 47,5 | 58 | 4,5 |
| 06328-01-306 | 3 | 12,5 | 6,5 | M6 | 20 | 20 | 4,5 | 22,5 | 55 | 58,5 | 71,5 | 6 |
| 06328-01-408 | 4 | 16 | 9 | M8 | 25 | 26 | 5,5 | 29 | 70 | 82 | 98 | 6,5 |