

Cylindrical grips, plastic

fold-down



Cylindrical grips are supplied assembled and can be screwed onto handwheels, crank handles, etc. The grooves and conical shape ensure that the cylindrical grips have optimised haptics and good grip. The fold-down grip prevents protruding edges, which also minimises the risk of injury.

Material:

Grip, thermoplastic.
Centre pin, steel.

Version:

Grip, black.
Steel parts, black oxidised.

Sample order:

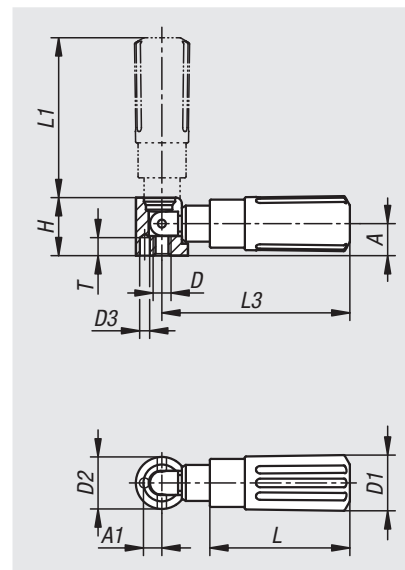
nln 06326-01-104

Note:

The hole D3 is used for positioning.

Advantages:

Optimised haptics and good grip
Protruding edges prevented
Grips for handwheels and cranks
Various thread sizes



Cylindrical grips, plastic fold-down

Order No.	Size	A	A1	D	D1	D2	D3	H	L	L1	L3	T
06326-01-104	1	8	4,3	M4	14	13	2,5	14,5	35	40	47	4,5
06326-01-205	2	10	5,3	M5	16	16	3,5	18	44	49	58	4,5
06326-01-306	3	12,5	6,5	M6	20	20	4,5	22,5	55	59,5	71,5	6
06326-01-408	4	16	9	M8	25	26	5,5	29	70	83	98	6,5