

# Cylindrical grips, plastic

revolving



Cylindrical grips are supplied assembled and can be screwed onto handwheels, crank handles, etc. The grooves and conical shape ensure that the cylindrical grips have optimised haptics and good grip.

**Material:**

Grip, thermoplastic.  
Centre pin, steel.

**Version:**

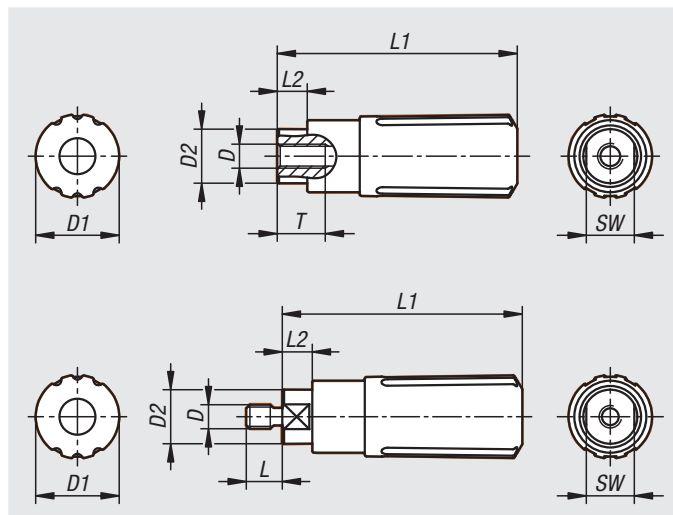
Grip, black.  
Steel parts, black oxidised.

**Sample order:**

nIm 06325-01-205

**Advantages:**

Optimised haptics and good grip  
Grips for handwheels and cranks  
Various thread sizes



## Cylindrical grips, plastic revolving, internal thread

Order No.	Thread type	Size	D	D1	D2	L1	L2	T	SW
06325-01-1104	internal thread	1	M4	14	9	40	5	8	8
06325-01-1205	internal thread	2	M5	16	11	49,1	5,1	10	10
06325-01-1306	internal thread	3	M6	20	14	61,4	6,4	12	12
06325-01-1408	internal thread	4	M8	25	18	82,5	12,5	16	15

## Cylindrical grips, plastic revolving, external thread

Order No.	Thread type	Size	D	D1	D2	L	L1	L2	SW
06325-01-104	external thread	1	M4	14	9	6	40	5	8
06325-01-205	external thread	2	M5	16	11	7,5	49,1	5,1	10
06325-01-306	external thread	3	M6	20	14	9	61,4	6,4	12
06325-01-408	external thread	4	M8	25	18	12	82,5	12,5	15