

Cylindrical grips revolving

with hexagon socket



Material:

Grip thermoplastic.
Steel parts electro zinc-plated.

Version:

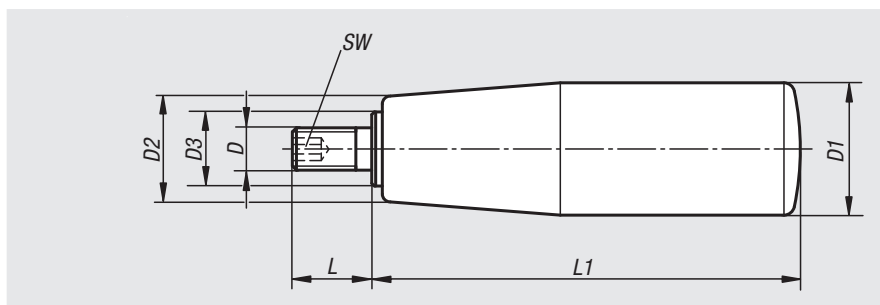
Black satin finished.

Sample order:

nIm 06321-06200520

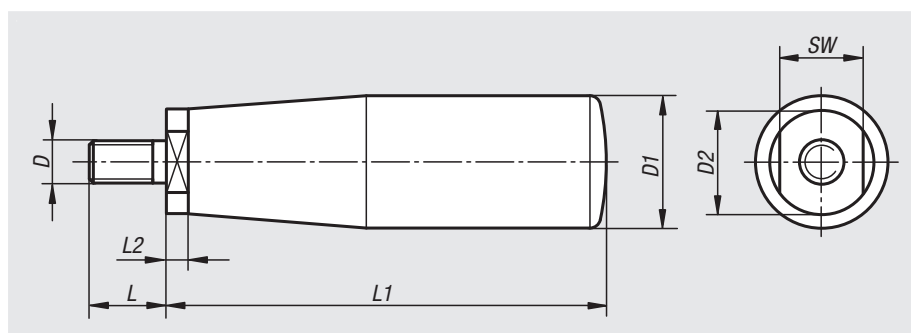
Note:

Cylindrical grips can be screwed onto our handwheels, crank handles etc.



Order No.	D	D1	D2	D3	L	L1	SW
06321-06200520	M6	20	15	10	12	51	3
06321-06230620	M6	23	18	10	12	62	3
06321-08230620	M8	23	18	10	15	62	4
06321-08250720	M8	25	19	10	15	71	4
06321-10250720	M10	25	19	10	15	71	4
06321-08250810	M8	26	22	14	15	81	4
06321-10250810	M10	26	22	14	15	81	5
06321-12260820	M12	26	22	14	15	81	5
06321-10270930	M10	27	22	14	15	92	5
06321-12270930	M12	27	22	14	15	92	5

Cylindrical grips revolving



Material:

Grip thermoplastic.
Steel parts electro zinc-plated.

Version:

Black satin finished.

Sample order:

nIm 06322-06200500

Note:

Cylindrical grips can be screwed onto our handwheels, crank handles etc.

Order No.	D	D1	D2	L	L1	L2	SW
06322-06200500	M6	20	12	12	55	5	10
06322-08230600	M8	23	14	15	67	7	13
06322-08250690	M8	25	14	15	77	7	13
06322-10250690	M10	25	14	15	77	7	13
06322-10250800	M10	26	18	15	86	7	16
06322-10270890	M10	27	18	15	97	7	16
06322-12250800	M12	26	18	15	86	7	16
06322-12270890	M12	27	18	15	97	7	16