

# Taper grips


**Material:**

Thermoset PF 31, black.

Bush and stud electro zinc-plated steel.

Form E has copper-plated steel or brass bushes.

**Version:**

High-gloss polished.

**Sample order:**

nIm 06320-106

**Note:**

The versions 06320-205 and 06320-206 have a brass bush.

The versions 06320-208 and 06320-2081 have copper-plated steel bushes.

**On request:**

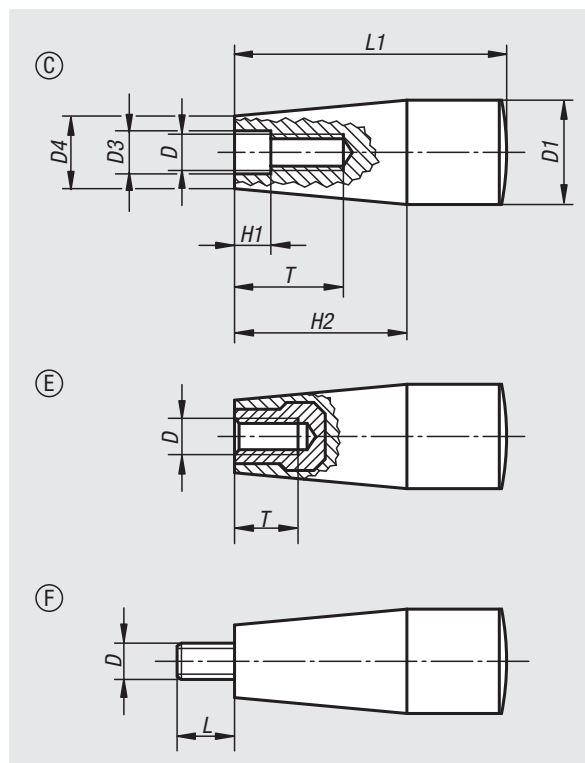
Other colours.

**Drawing reference:**

Form C: moulded female thread

Form E: tapped bush

Form F: male thread



Order No.	Form	D	D1	D3	D4	H1	H2	L1	T
06320-106	C	M6	17	6,2	15	2	26	45	14
06320-108	C	M8	17	8,2	13	2	26	45	16
06320-1081	C	M8	23	8,5	18	2	38	61	24
06320-110	C	M10	29	10,5	21	3,5	42	71	28
06320-205	E	M5	17	-	15	-	26	45	10
06320-206	E	M6	17	-	15	-	26	45	9
06320-208	E	M8	23	-	18	-	38	61	14
06320-2081	E	M8	28	-	21	-	42	71	14

Order No.	Form	D	D1	D4	H2	L	L1
06320-306	F	M6	17	15	26	18	45
06320-308	F	M8	23	18	38	12	61
06320-310	F	M10	29	21	42	20	71