

## Taper grips

**Material:**

Thermoset PF 31, black.  
Steel bush and stud, electro zinc-plated.

**Version:**

High-gloss polished.

**Sample order:**

nln 06319-10818

**On request:**

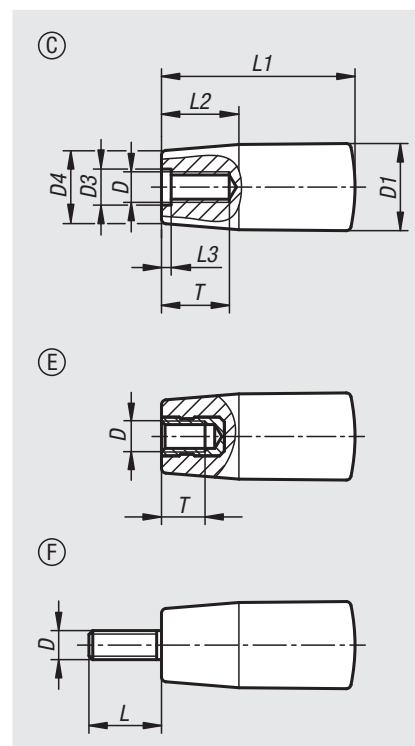
Other colours.

**Drawing reference:**

Form C: moulded female thread

Form E: tapped bush

Form F: male thread



Order No.	Form	D	D1	D3	D4	L1	L2	L3	T
06319-10618	C	M6	18	6,2	15	40	16	2	14
06319-10818	C	M8	18	8,5	15	40	16	2	18
06319-10823	C	M8	23	8,5	19	65	24	2	18
06319-11028	C	M10	28	10,5	22	90	32	3,5	22
06319-20518	E	M5	18	-	15	40	16	-	7,5
06319-20618	E	M6	18	-	15	40	16	-	9
06319-20823	E	M8	23	-	19	65	24	-	12
06319-20828	E	M8	28	-	22	90	32	-	12
06319-21028	E	M10	28	-	22	90	32	-	15

Order No.	Form	D	D1	D4	L	L1	L2
06319-30618	F	M6	18	15	15	40	16
06319-30823	F	M8	23	19	15	65	24
06319-31028	F	M10	28	22	15	90	32