

Taper grips

revolving



Material:

Black thermoset PF 31.
Centre pin and tapped bush electro zinc-plated steel or bright stainless steel.

Version:

High-gloss polished.

Sample order:

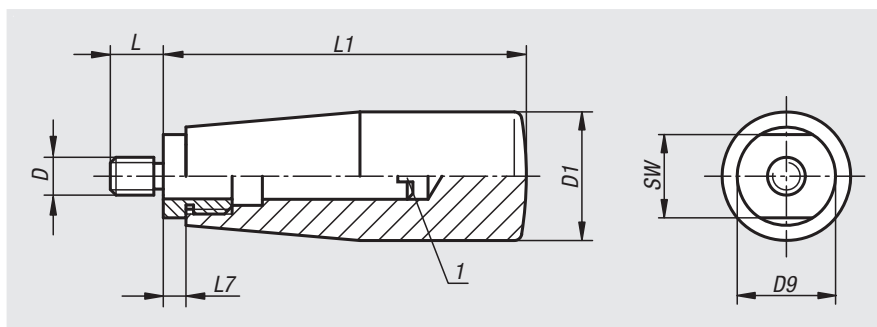
nIm 06316-105007

Note:

To mount unscrew the axle.

Drawing reference:

1) mounting aid



Order No. steel	Order No. stainless steel	D	D1	D9	L	L1	L7	SW
06316-105007	06316-1105007	M5	17	15	7	51	5	13
06316-206008	06316-1206008	M6	23	18	8	68	6	16
06316-208009	06316-1208009	M8	23	18	9	68	6	16
06316-310011	06316-1310011	M10	28	21	11	77	7	19

Taper grips

revolving



Material:

Thermoset PF 31, black.
Centre pin nickel-plated steel or bright 1.4305 stainless steel.
Snap ring 1.4310 stainless steel.

Version:

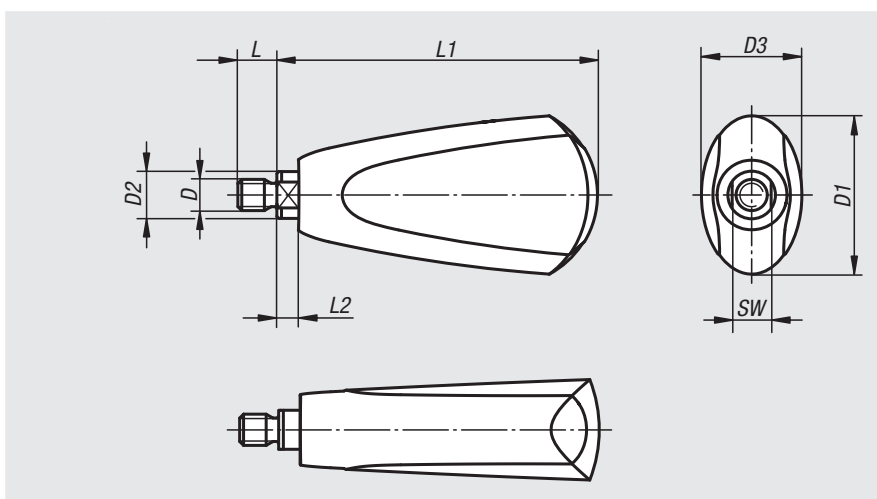
High-gloss polished.

Sample order:

nIm 06316-106009

Note:

The grips are suitable for disc handwheels with revolving taper grip 06287.



Order No. steel	Order No. stainless steel	D	D1	D2	D3	L	L1	L2	SW
06316-106009	06316-1106009	M6	25	8	18	9	54,7	4,5	7
06316-208010	06316-1208010	M8	41	12	26	10	82,2	5,5	10