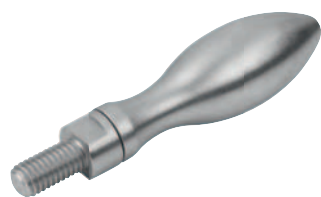


Machine handles revolving

steel, similar to DIN 98



Material:

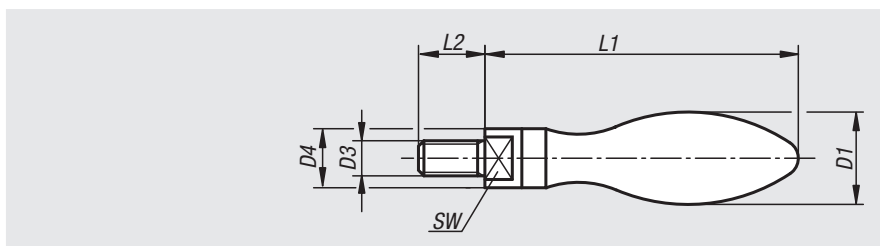
Steel.

Version:

Polished.

Sample order:

nlm 06310-225



Order No.	D1	D3	D4	L1	L2	SW
06310-216	16	M6	10	53	13	8
06310-220	20	M8	13	66	15	10
06310-225	25	M10	16	85	18	13
06310-232	32	M12	20	107	20	17

Machine handles fixed

straight form, similar to DIN 39



Material:

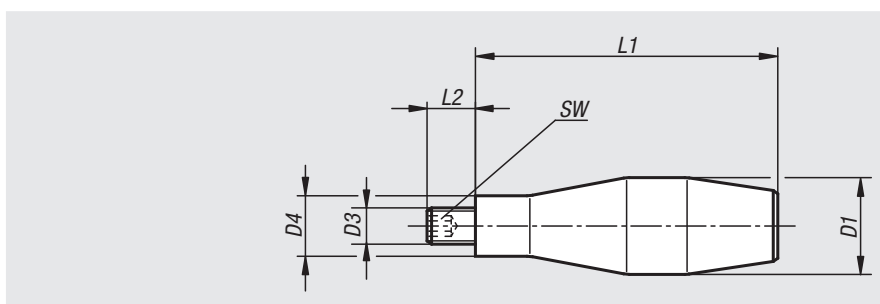
Aluminium.
Screw, steel.

Version:

Grip highly polished.

Sample order:

nlm 06311-20



Order No.	D1	D3	D4	L1	L2	SW
06311-16	16	M6	10	52	11	3
06311-20	20	M8	13	66	13	4
06311-25	25	M10	16	80	14	5
06311-29	32	M12	20	100	16	6

