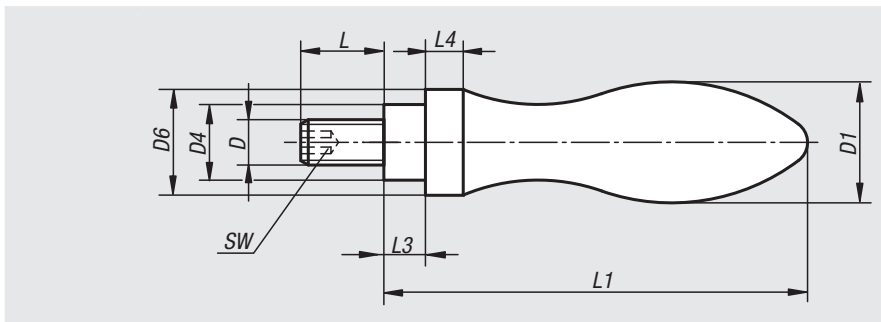
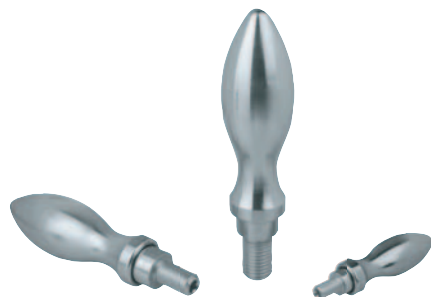


Machine handles revolving

similar to DIN 98 Form E, steel



Material:

Grip and screw steel.

Version:

Grip and axle part trivalent blue passivated.

Sample order:

nIm 06308-0616055

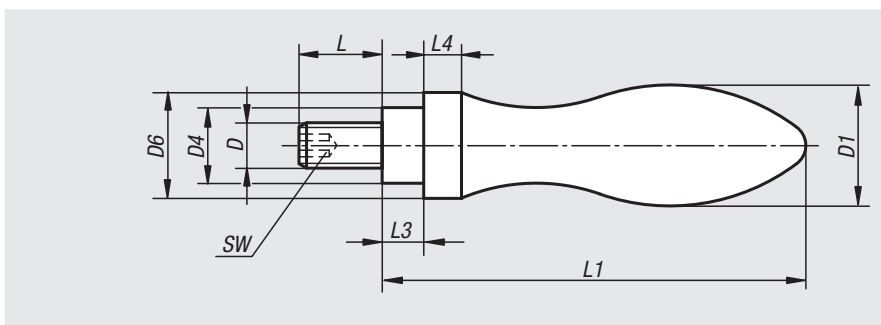
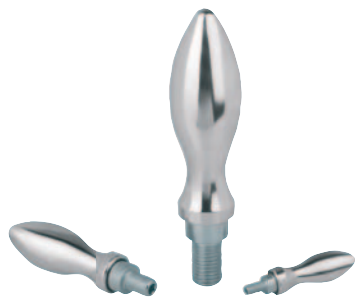
Note:

The handles with D1=25 mm and 32 mm have a thread length L2 that is shorter than the length specified in DIN 98. These machine handles are suitable for DIN 950 handwheels.

Order No.	D	D1	D4	D6	L	L1	L3	L4	SW
06308-0616055	M6	16	10	14	11	54,5	5,5	5	3
06308-0820067	M8	20	13	18	13	67	6	6	4
06308-1025083	M10	25	16	21	13	83	8	6,5	5
06308-1232105	M12	32	20	26	16	105,5	10,5	8	6
06308-1636117	M16	36	22	29	26	117	11	9	8

Machine handles revolving

aluminium, similar to DIN 98 Form E



Material:

Grip aluminium.
Screw steel.

Version:

Grip polished.
Axle trivalent blue passivated.

Sample order:

nIm 06309-0616055

Note:

Machine handle suitable for DIN 950 handwheels.

Order No.	D	D1	D4	D6	L	L1	L3	L4	SW
06309-0616055	M6	16	10	14	11	54,5	5,5	5	3
06309-0820067	M8	20	13	18	13	67	6	6	4
06309-1025083	M10	25	16	21	13	83	8	6,5	5
06309-1232105	M12	32	20	26	16	105,5	10,5	8	6
06309-1636117	M16	36	22	29	26	117	11	9	8