

## Machine handles fixed

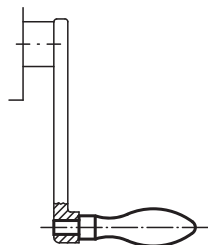
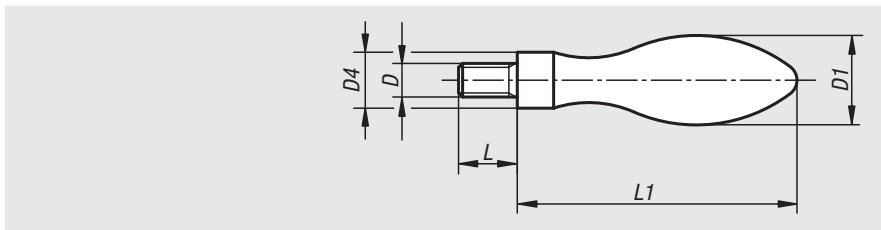
steel, similar to DIN 39



**Material:**  
Steel.

**Version:**  
Polished.

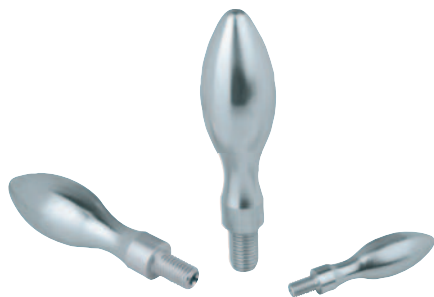
**Sample order:**  
nlm 06290-216



Order No.	D	D1	D4	L	L1
06290-213	M5	13	8	10	40
06290-216	M6	16	10	13	50
06290-220	M8	20	13	15	64
06290-225	M10	25	16	18	80
06290-232	M12	32	20	20	100

## Machine handles fixed

steel, DIN 39 Form E

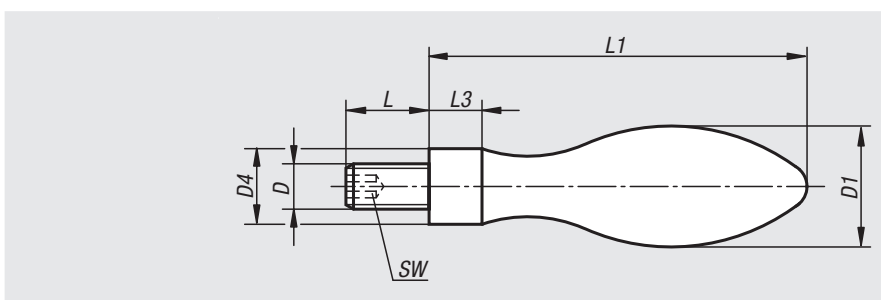


**Material:**  
Grip and screw steel.

**Version:**  
Grip and axle part trivalent blue passivated.

**Sample order:**  
nlm 06291-0616050

**Note:**  
Machine handle suitable for DIN 950 handwheels.



Order No.	D	D1	D4	L	L1	L3	SW
06291-0616050	M6	16	10	11	50	7	3
06291-0820064	M8	20	13	13	64	8	4
06291-1025080	M10	25	16	14	80	10	5
06291-1232100	M12	32	20	21	100	13	6
06291-1636112	M16	36	22	26	112	14	8