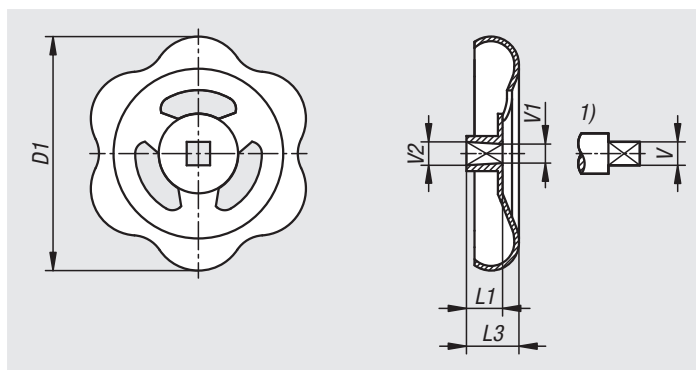


## Hand wheels, steel, stamped



**Material:**  
Steel.

**Version:**  
Powder-coated black RAL 9005, red RAL 3000 or trivalent blue passivated.

**Sample order:**  
nlm 06289-050060

**Note:**  
Especially suitable for stop valves. The handwheels are made from a single piece. The handwheel is strengthened in the hub area using a special forming process. The tapered hub allows easy mounting and ensures secure seating on the square bar.

**Drawing reference:**  
1) Square on shaft

Order No. passivated	Order No. jet black RAL 9005	Order No. red RAL 3000	D1	L1	L3	V	V1	V2	Number of spokes
06289-130122	06289-130120	06289-130121	130	15	23	12	11,9	12,15	3
06289-050062	06289-050060	06289-050061	50	8,5	12	6	5,9	6,15	3
06289-050072	06289-050070	06289-050071	50	8,5	12	7	6,9	7,15	3
06289-060062	06289-060060	06289-060061	60	8,5	12	6	5,9	6,15	3
06289-060072	06289-060070	06289-060071	60	8,5	12	7	6,9	7,15	3
06289-110102	06289-110100	06289-110101	108	15	23	10	9,9	10,15	3
06289-070072	06289-070070	06289-070071	69	10	15	7	6,9	7,15	3
06289-100102	06289-100100	06289-100101	98	13	20	10	9,9	10,15	3
06289-070082	06289-070080	06289-070081	69	10	15	8	7,9	8,15	3
06289-080082	06289-080080	06289-080081	78	11	16	8	7,9	8,15	3
06289-080092	06289-080090	06289-080091	78	11	16	9	8,9	9,15	3
06289-090092	06289-090090	06289-090091	89	11	16	9	8,9	9,15	3
06289-100092	06289-100090	06289-100091	98	13	20	9	8,9	9,15	3