

Handwheels disc

without grip



Material:

Black thermoset PF 31.

Hub nickel-plated steel or bright 1.4305 stainless steel.

Version:

High-gloss polished.

Sample order:

nln 06288-0100X06

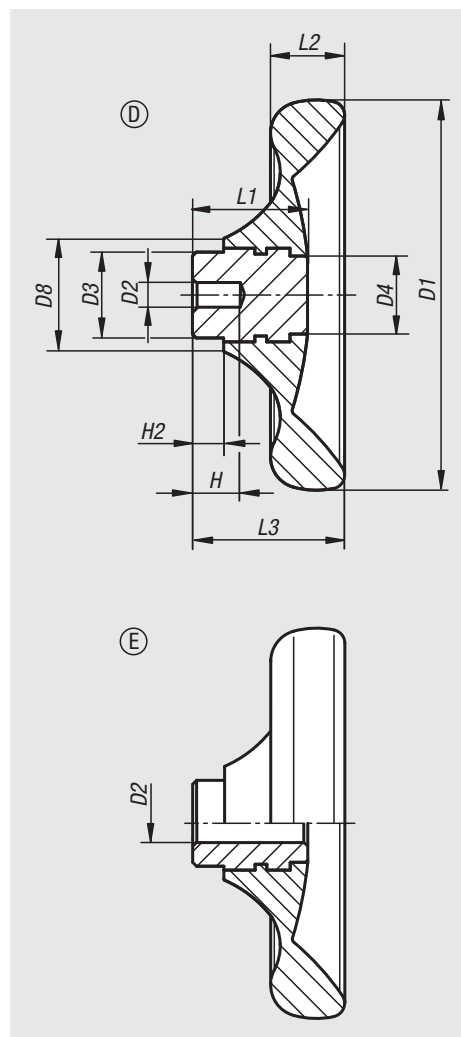
On request:

Other reamed hole sizes.

Drawing reference:

Form D: pilot hole

Form E: reamed hole



Handwheels disc, without grip, bush steel

Order No. Form D	Order No. Form E	D1	D2	D3	D4	D8	H	H2	L1	L2	L3
06288-0100X06	06288-1100X10	100	6/10H8	22	20	29	12/-	8	29,5	19	39
06288-0125X08	06288-1125X12	125	8/12H8	26	21	34	15/-	8	34	24	46
06288-0140X08	06288-1140X14	140	8/14H8	30	25	39	16/-	8	38,5	27	52
06288-0160X10	06288-1160X16	160	10/16H8	33	30	43	20/-	8	41,3	30,1	57
-	06288-1160X18	160	18H8	33	30	43	-	8	41,3	30,1	57

Handwheels disc, without grip, bush stainless steel

Order No. Form D	Order No. Form E	D1	D2	D3	D4	D8	H	H2	L1	L2	L3
06288-2100X06	06288-3100X10	100	6/10H7	22	20	29	12/-	8	29,5	19	39
06288-2125X08	06288-3125X12	125	8/12H7	26	21	34	15/-	8	34	24	46
06288-2140X08	06288-3140X14	140	8/14H7	30	25	39	16/-	8	38,5	27	52
06288-2160X10	06288-3160X16	160	10/16H7	33	30	43	20/-	8	41,3	30,1	57
-	06288-3160X18	160	18H7	33	30	43	-	8	41,3	30,1	57