

# Handwheels disc

with revolving grip



**Material:**

Thermoset PF 31, black.  
Hubs and steel parts of grip nickel-plated steel or bright 1.4305 stainless steel.

**Version:**

High-gloss polished.

**Sample order:**

nIm 06287-0125X08

**Note:**

The handwheel is supplied with the grip loose.

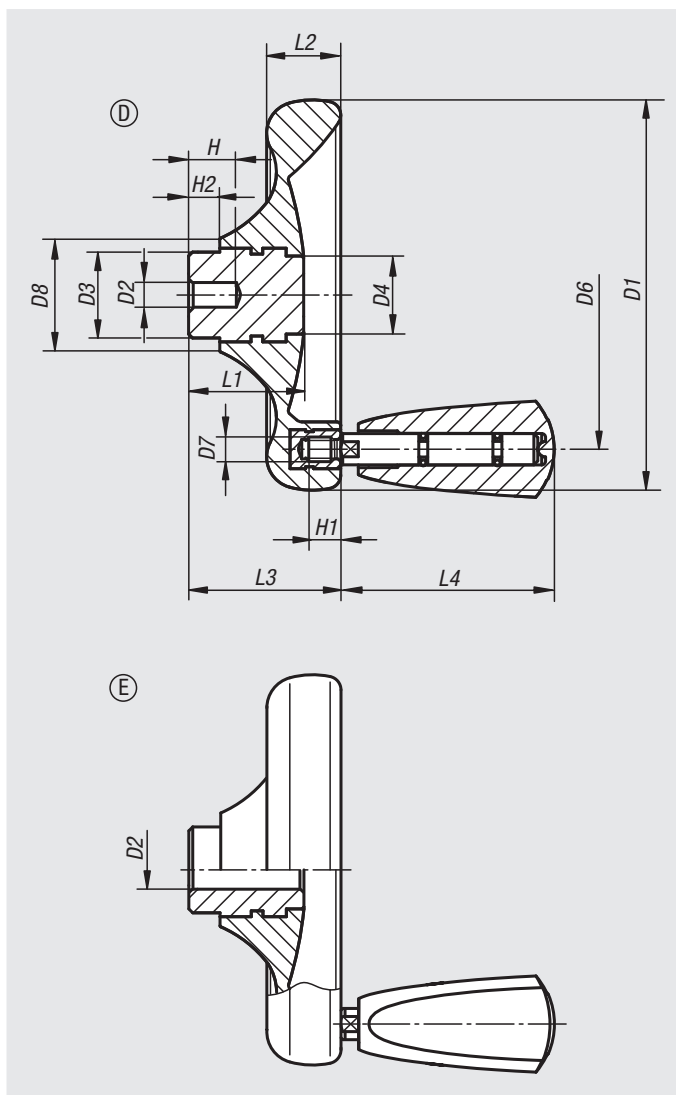
**On request:**

Other reamed hole sizes.

**Drawing reference:**

Form D: pilot hole

Form E: reamed hole



## Handwheels disc, with revolving grip

Order No. Form D	Order No. Form E	D1	D2	D3	D4	D6	D7	D8	H	H1	H2	L1	L2	L3	L4
06287-0100X06	06287-1100X10	100	6/10H8	22	20	79	M6	29	12/-	9	8	29,5	19	39	54,7
06287-0125X08	06287-1125X12	125	8/12H8	26	21	101	M6	34	15/-	9	8	34	24	46	54,7
06287-0140X08	06287-1140X14	140	8/14H8	30	25	110	M8	39	16/-	12	8	38,5	27	52	82,2
06287-0160X10	06287-1160X16	160	10/16H8	33	30	128	M8	43	20/-	12	8	41,3	30,1	57	82,2
-	06287-1160X18	160	18H8	33	30	128	M8	43	-	12	8	41,3	30,1	57	82,2

## Handwheels disc, with revolving grip, metal parts stainless steel

Order No. Form D	Order No. Form E	D1	D2	D3	D4	D6	D7	D8	H	H1	H2	L1	L2	L3	L4
06287-2100X06	06287-3100X10	100	6/10H7	22	20	79	M6	29	12/-	9	8	29,5	19	39	54,7
06287-2125X08	06287-3125X12	125	8/12H7	26	21	101	M6	34	15/-	9	8	34	24	46	54,7
06287-2140X08	06287-3140X14	140	8/14H7	30	25	110	M8	39	16/-	12	8	38,5	27	52	82,2
06287-2160X10	06287-3160X16	160	10/16H7	33	30	128	M8	43	20/-	12	8	41,3	30,1	57	82,2
-	06287-3160X18	160	18H7	33	30	128	M8	43	-	12	8	41,3	30,1	57	82,2

01000  
02000  
03000  
04000  
05000  
06000  
07000  
08000  
09000  
10000  
12000