

Handwheels disc

similar to DIN 950, aluminium


Material:

Handwheel aluminium.

Version:

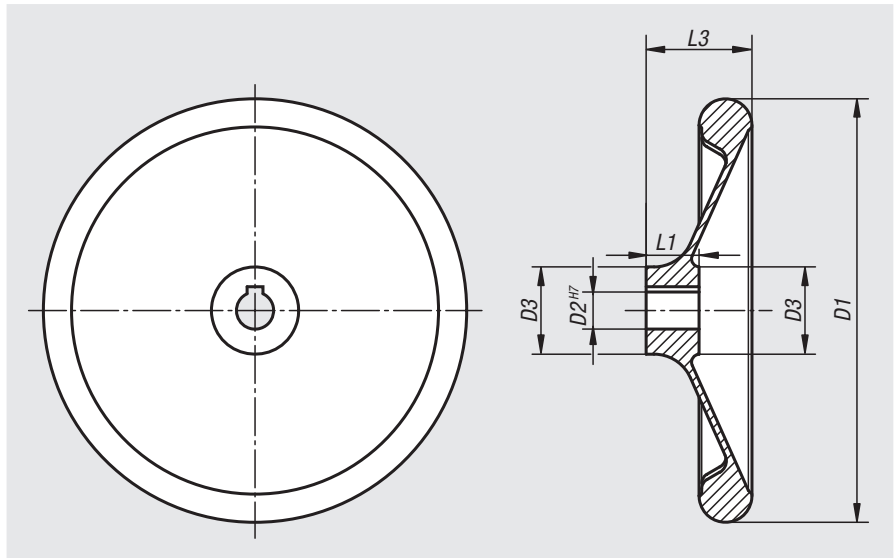
Wheel rim turned and polished.
Radial and axial run-out of rim < IT 12.

Sample order:

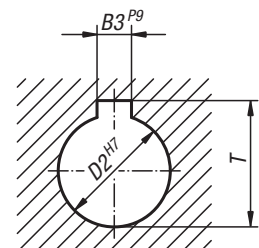
nIm 06279-0080X10

On request:

Hubs with square socket or powder-coated handwheels.



DIN 6885-1



Order No. reamed hole	Order No. reamed hole with slot	D1	D2	D3	L1	L3	B3	T
06279-0080X10	06279-1080X10	80	10H7	25	16	30	-/3	-/11,4
06279-0080X12	06279-1080X12	80	12H7	25	16	30	-/4	-/13,8
06279-0100X10	06279-1100X10	100	10H7	28	17	31	-/3	-/11,4
06279-0100X12	06279-1100X12	100	12H7	28	17	31	-/4	-/13,8
06279-0120X12	06279-1120X12	120	12H7	27	18	30	-/4	-/13,8
06279-0120X14	06279-1120X14	120	14H7	27	18	30	-/5	-/16,3
06279-0160X14	06279-1160X14	160	14H7	34	20	40	-/5	-/16,3
06279-0160X16	06279-1160X16	160	16H7	34	20	40	-/5	-/18,3
06279-0200X18	06279-1200X18	200	18H7	40	24	44	-/6	-/20,8
06279-0200X22	06279-1200X22	200	22H7	40	24	44	-/6	-/24,8
06279-0250X22	06279-1250X22	250	22H7	49	28	61	-/6	-/24,8
06279-0250X26	06279-1250X26	250	26H7	49	28	61	-/8	-/29,3
06279-0280X24	06279-1280X24	280	24H7	51	30	38	-/8	-/27,3
06279-0280X28	06279-1280X28	280	28H7	51	30	38	-/8	-/31,3
06279-0360X28	06279-1360X28	360	28H7	63	35	73	-/8	-/31,3
06279-0360X32	06279-1360X32	360	32H7	63	35	73	-/10	-/35,3