

Handwheels 2-spoke

aluminium, flat wheel rim



Material:

Handwheels aluminium.
Cylinder grip black thermoset PF 31-DIN 7708, centre pin electro zinc-plated steel.

Version:

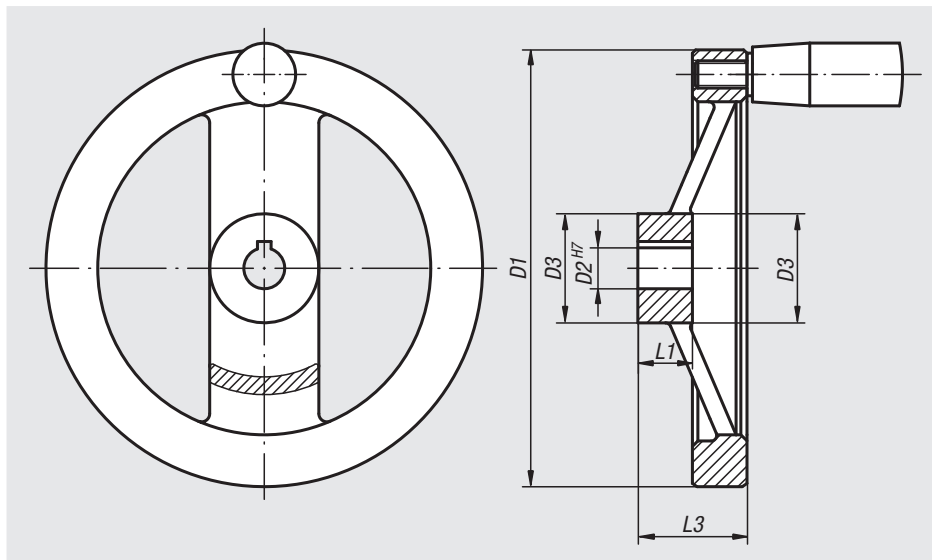
Wheel rim turned and polished.
Radial and axial run-out of rim < IT 12.

Sample order:

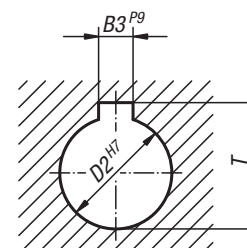
nIm 06277-4080X10

On request:

Hubs with square socket or powder-coated handwheels.



DIN 6885-1



Handwheels 2-spoke, aluminium, flat wheel rim, without grip

Order No. reamed hole	Order No. reamed hole with slot	D1	D2	D3	L1	L3	B3	T
06277-0080X10	06277-1080X10	80	10H7	24	16	28	-/3	-/11,4
06277-0080X12	06277-1080X12	80	12H7	24	16	28	-/4	-/13,8
06277-0100X10	06277-1100X10	100	10H7	26	17	33	-/3	-/11,4
06277-0100X12	06277-1100X12	100	12H7	26	17	33	-/4	-/13,8
06277-0125X12	06277-1125X12	125	12H7	31	18	33,5	-/4	-/13,8
06277-0125X14	06277-1125X14	125	14H7	31	18	33,5	-/5	-/16,3
06277-0160X14	06277-1160X14	160	14H7	40	20	39	-/5	-/16,3
06277-0160X16	06277-1160X16	160	16H7	40	20	39	-/5	-/18,3
06277-0200X18	06277-1200X18	200	18H7	42	24	45	-/6	-/20,8
06277-0200X20	06277-1200X20	200	20H7	42	24	45	-/6	-/22,8
06277-0250X22	06277-1250X22	250	22H7	48	28	51	-/6	-/24,8
06277-0250X26	06277-1250X26	250	26H7	48	28	51	-/8	-/29,3

Handwheels 2-spoke

aluminium, flat wheel rim

Handwheels 2-spoke, aluminium, flat wheel rim, with fixed cylinder grip

Order No. reamed hole	Order No. reamed hole with slot	D1	D2	D3	L1	L3	B3	T	Fixed cylinder grip
06277-2080X10	06277-3080X10	80	10H7	24	16	28	-/3	-/11,4	ø18 x M6 x 40
06277-2080X12	06277-3080X12	80	12H7	24	16	28	-/4	-/13,8	ø18 x M6 x 40
06277-2100X10	06277-3100X10	100	10H7	26	17	33	-/3	-/11,4	ø18 x M6 x 40
06277-2100X12	06277-3100X12	100	12H7	26	17	33	-/4	-/13,8	ø18 x M6 x 40
06277-2125X12	06277-3125X12	125	12H7	31	18	33,5	-/4	-/13,8	ø21 x M8 x 50
06277-2125X14	06277-3125X14	125	14H7	31	18	33,5	-/5	-/16,3	ø21 x M8 x 50
06277-2160X14	06277-3160X14	160	14H7	40	20	39	-/5	-/16,3	ø26 x M10 x 80
06277-2160X16	06277-3160X16	160	16H7	40	20	39	-/5	-/18,3	ø26 x M10 x 80
06277-2200X18	06277-3200X18	200	18H7	42	24	45	-/6	-/20,8	ø26 x M10 x 80
06277-2200X20	06277-3200X20	200	20H7	42	24	45	-/6	-/22,8	ø26 x M10 x 80
06277-2250X22	06277-3250X22	250	22H7	48	28	51	-/6	-/24,8	ø28 x M12 x 90
06277-2250X26	06277-3250X26	250	26H7	48	28	51	-/8	-/29,3	ø28 x M12 x 90

Handwheels 2-spoke, aluminium, flat wheel rim, with revolving cylinder grip

Order No. reamed hole	Order No. reamed hole with slot	D1	D2	D3	L1	L3	B3	T	Revolving cylinder grip
06277-4080X10	06277-5080X10	80	10H7	24	16	28	-/3	-/11,4	ø18 x M6 x 40
06277-4080X12	06277-5080X12	80	12H7	24	16	28	-/4	-/13,8	ø18 x M6 x 40
06277-4100X10	06277-5100X10	100	10H7	26	17	33	-/3	-/11,4	ø18 x M6 x 40
06277-4100X12	06277-5100X12	100	12H7	26	17	33	-/4	-/13,8	ø18 x M6 x 40
06277-4125X12	06277-5125X12	125	12H7	31	18	33,5	-/4	-/13,8	ø22 x M8 x 56
06277-4125X14	06277-5125X14	125	14H7	31	18	33,5	-/5	-/16,3	ø22 x M8 x 56
06277-4160X14	06277-5160X14	160	14H7	40	20	39	-/5	-/16,3	ø26 x M10 x 80
06277-4160X16	06277-5160X16	160	16H7	40	20	39	-/5	-/18,3	ø26 x M10 x 80
06277-4200X18	06277-5200X18	200	18H7	42	24	45	-/6	-/20,8	ø26 x M10 x 80
06277-4200X20	06277-5200X20	200	20H7	42	24	45	-/6	-/22,8	ø26 x M10 x 80
06277-4250X22	06277-5250X22	250	22H7	48	28	51	-/6	-/24,8	ø31 x M12 x 102
06277-4250X26	06277-5250X26	250	26H7	48	28	51	-/8	-/29,3	ø31 x M12 x 102

Handwheels 2-spoke

flat rim, aluminium



Material:

Handwheels aluminium.
Cylinder grip black thermoset PF 31-DIN 7708,
centre pin electro zinc-plated steel.

Version:

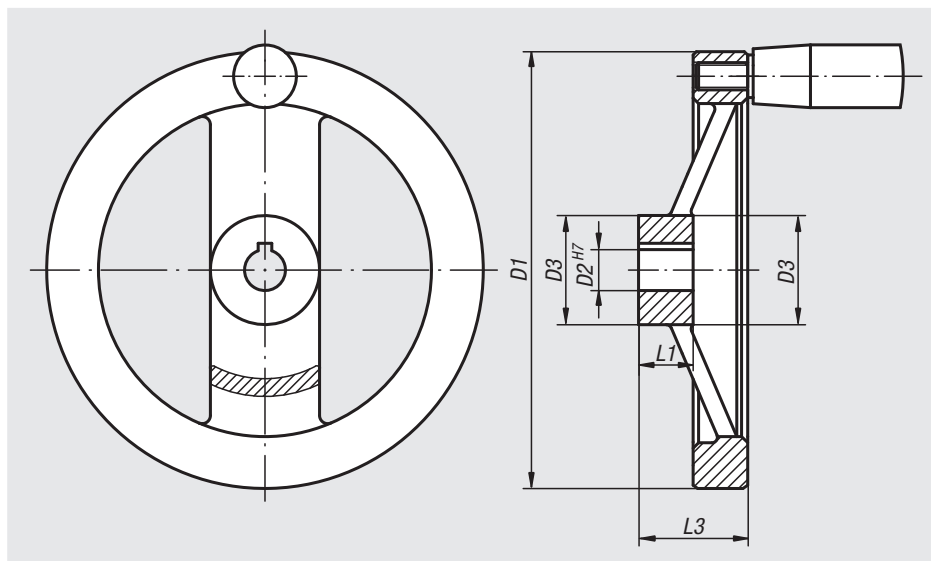
Black, powder-coated.
Wheel rim turned.
Radial and axial run-out of rim < IT 12.

Sample order:

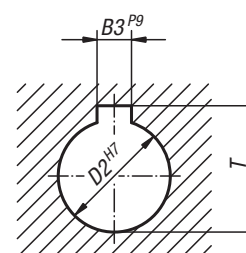
nIm 06277-01080X10

On request:

Hubs with square socket.



DIN 6885-1



Handwheels 2-spoke, aluminium, flat wheel rim, without grip

Order No. reamed hole	Order No. reamed hole with slot	D1	D2	D3	L1	L3	B3	T
06277-01080X10	06277-11080X10	80	10H7	24	16	28	-/3	-/11,4
06277-01080X12	06277-11080X12	80	12H7	24	16	28	-/4	-/13,8
06277-01100X10	06277-11100X10	100	10H7	26	17	33	-/3	-/11,4
06277-01100X12	06277-11100X12	100	12H7	26	17	33	-/4	-/13,8
06277-01125X12	06277-11125X12	125	12H7	31	18	33,5	-/4	-/13,8
06277-01125X14	06277-11125X14	125	14H7	31	18	33,5	-/5	-/16,3
06277-01160X14	06277-11160X14	160	14H7	40	20	39	-/5	-/16,3
06277-01160X16	06277-11160X16	160	16H7	40	20	39	-/5	-/18,3
06277-01200X18	06277-11200X18	200	18H7	42	24	45	-/6	-/20,8
06277-01200X20	06277-11200X20	200	20H7	42	24	45	-/6	-/22,8
06277-01250X22	06277-11250X22	250	22H7	48	28	51	-/6	-/24,8
06277-01250X26	06277-11250X26	250	26H7	48	28	51	-/8	-/29,3

Handwheels 2-spoke

flat rim, aluminium

Handwheels 2-spoke, aluminium, flat wheel rim, with fixed cylinder grip

Order No. reamed hole	Order No. reamed hole with slot	D1	D2	D3	L1	L3	B3	T	Fixed cylinder grip
06277-21080X10	06277-31080X10	80	10H7	24	16	28	-/3	-/11,4	ø18 x M6 x 40
06277-21080X12	06277-31080X12	80	12H7	24	16	28	-/4	-/13,8	ø18 x M6 x 40
06277-21100X10	06277-31100X10	100	10H7	26	17	33	-/3	-/11,4	ø18 x M6 x 40
06277-21100X12	06277-31100X12	100	12H7	26	17	33	-/4	-/13,8	ø18 x M6 x 40
06277-21125X12	06277-31125X12	125	12H7	31	18	33,5	-/4	-/13,8	ø21 x M8 x 50
06277-21125X14	06277-31125X14	125	14H7	31	18	33,5	-/5	-/16,3	ø21 x M8 x 50
06277-21160X14	06277-31160X14	160	14H7	40	20	39	-/5	-/16,3	ø26 x M10 x 80
06277-21160X16	06277-31160X16	160	16H7	40	20	39	-/5	-/18,3	ø26 x M10 x 80
06277-21200X18	06277-31200X18	200	18H7	42	24	45	-/6	-/20,8	ø26 x M10 x 80
06277-21200X20	06277-31200X20	200	20H7	42	24	45	-/6	-/22,8	ø26 x M10 x 80
06277-21250X22	06277-31250X22	250	22H7	48	28	51	-/6	-/24,8	ø28 x M12 x 90
06277-21250X26	06277-31250X26	250	26H7	48	28	51	-/8	-/29,3	ø28 x M12 x 90

Handwheels 2-spoke, aluminium, flat wheel rim, with revolving cylinder grip

Order No. reamed hole	Order No. reamed hole with slot	D1	D2	D3	L1	L3	B3	T	Revolving cylinder grip
06277-41080X10	06277-51080X10	80	10H7	24	16	28	-/3	-/11,4	ø18 x M6 x 40
06277-41080X12	06277-51080X12	80	12H7	24	16	28	-/4	-/13,8	ø18 x M6 x 40
06277-41100X10	06277-51100X10	100	10H7	26	17	33	-/3	-/11,4	ø18 x M6 x 40
06277-41100X12	06277-51100X12	100	12H7	26	17	33	-/4	-/13,8	ø18 x M6 x 40
06277-41125X12	06277-51125X12	125	12H7	31	18	33,5	-/4	-/13,8	ø22 x M8 x 56
06277-41125X14	06277-51125X14	125	14H7	31	18	33,5	-/5	-/16,3	ø22 x M8 x 56
06277-41160X14	06277-51160X14	160	14H7	40	20	39	-/5	-/16,3	ø26 x M10 x 80
06277-41160X16	06277-51160X16	160	16H7	40	20	39	-/5	-/18,3	ø26 x M10 x 80
06277-41200X18	06277-51200X18	200	18H7	42	24	45	-/6	-/20,8	ø26 x M10 x 80
06277-41200X20	06277-51200X20	200	20H7	42	24	45	-/6	-/22,8	ø26 x M10 x 80
06277-41250X22	06277-51250X22	250	22H7	48	28	51	-/6	-/24,8	ø31 x M12 x 102
06277-41250X26	06277-51250X26	250	26H7	48	28	51	-/8	-/29,3	ø31 x M12 x 102