

Handwheels disc stainless steel

with revolving grip



Material:

Stainless steel 1.4301.

Version:

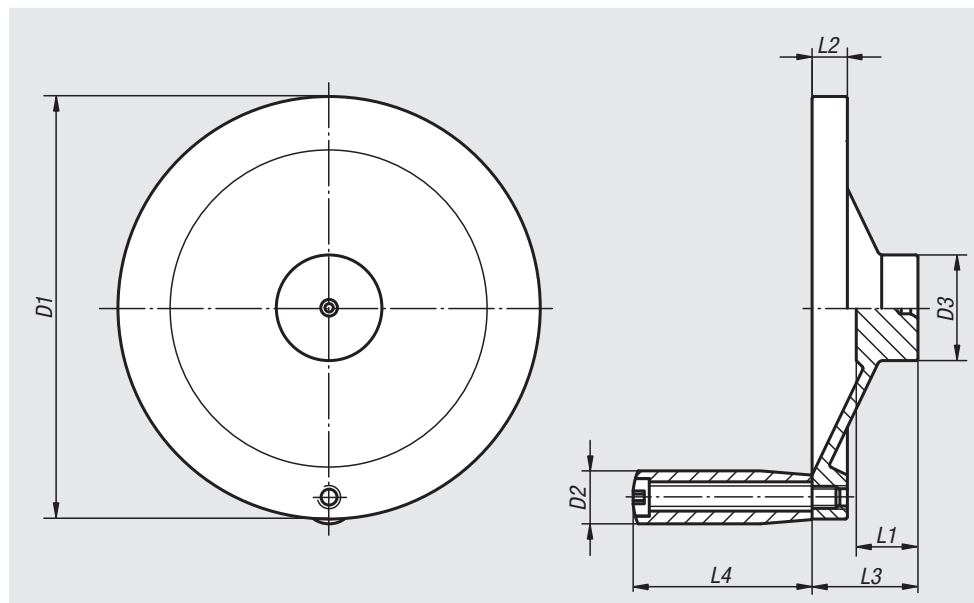
Turned, bright.
Hub is centre bored.

Sample order:

nIm 06276-01-4076X00

On request:

Stainless steel 1.4401.
Stainless steel 1.4404.
Stainless steel 1.4571.



Order No.	D1	D2	D3	L1	L2	L3	L4
06276-01-4076X00	76,2	9,91	22,1	17,02	6,1	27,9	37,9
06276-01-4101X00	101,6	11,94	25,9	18,03	7,87	31,7	39,88
06276-01-4152X00	152,4	19,05	38,1	22,1	12,7	38,1	63,5
06276-01-4203X00	203,2	22,1	45,7	24,13	14,22	45,7	76,2
06276-01-4254X00	254	22,1	50,8	26,67	15,75	50,8	76,2