

# Handwheels disc

aluminium



### Material:

Disc handwheel aluminium.  
Cylinder grip black thermoset PF 31-DIN 7708.  
Hub electro zinc-plated steel.

### Version:

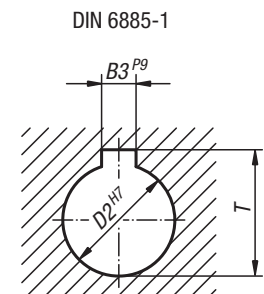
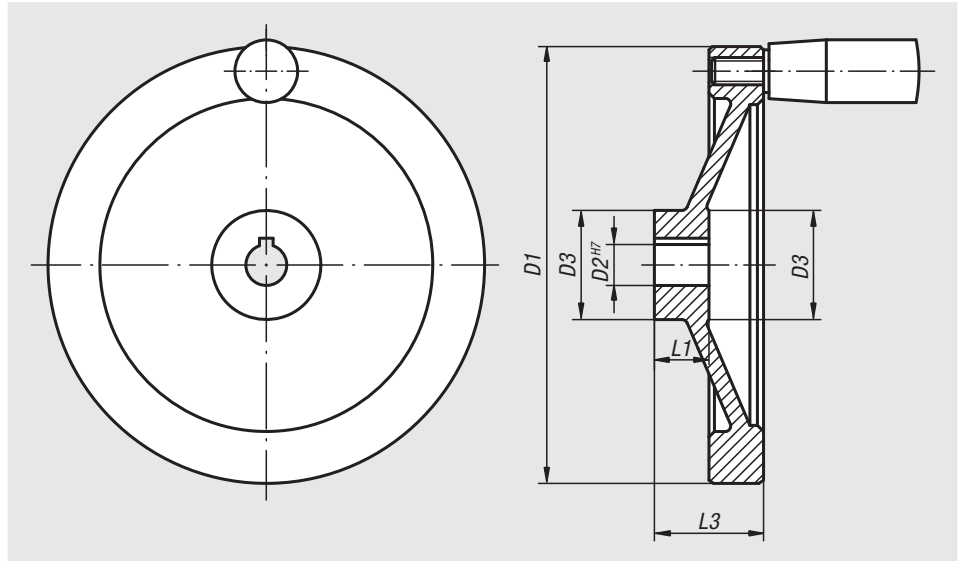
Wheel rim turned and polished.  
Radial and axial run-out of rim < IT 12.

### Sample order:

nIm 06275-4080X10

### On request:

Hubs with square socket or powder-coated handwheels.



## Handwheels disc, aluminium, without grip

Order No. reamed hole	Order No. reamed hole with slot	D1	D2	D3	L1	L3	B3	T
06275-0080X10	06275-1080X10	80	10H7	26	16	31	-/3	-/11,4
06275-0080X12	06275-1080X12	80	12H7	26	16	31	-/4	-/13,8
06275-0100X10	06275-1100X10	100	10H7	31	17	34	-/3	-/11,4
06275-0100X12	06275-1100X12	100	12H7	31	17	34	-/4	-/13,8
06275-0125X12	06275-1125X12	125	12H7	30	18	37	-/4	-/13,8
06275-0125X14	06275-1125X14	125	14H7	30	18	37	-/5	-/16,3
06275-0140X14	06275-1140X14	140	14H7	34	19	34	-/5	-/16,3
06275-0140X15	06275-1140X15	140	15H7	34	19	34	-/5	-/17,3
06275-0160X15	06275-1160X15	160	15H7	40	20	40	-/5	-/17,3
06275-0160X16	06275-1160X16	160	16H7	40	20	40	-/5	-/18,3
06275-0200X18	06275-1200X18	200	18H7	50	24	46	-/6	-/20,8
06275-0200X20	06275-1200X20	200	20H7	50	24	46	-/6	-/22,8
06275-0250X22	06275-1250X22	250	22H7	50	28	49	-/6	-/24,8
06275-0250X24	06275-1250X24	250	24H7	50	28	49	-/8	-/27,3

## Handwheels disc

aluminium

## Handwheels disc, aluminium, with fixed cylinder grip

Order No. reamed hole	Order No. reamed hole with slot	D1	D2	D3	L1	L3	B3	T	Fixed cylinder grip
06275-2080X10	06275-3080X10	80	10H7	26	16	31	-/3	-/11,4	ø18 x M6 x 40
06275-2080X12	06275-3080X12	80	12H7	26	16	31	-/4	-/13,8	ø18 x M6 x 40
06275-2100X10	06275-3100X10	100	10H7	31	17	34	-/3	-/11,4	ø18 x M6 x 40
06275-2100X12	06275-3100X12	100	12H7	31	17	34	-/4	-/13,8	ø18 x M6 x 40
06275-2125X12	06275-3125X12	125	12H7	30	18	37	-/4	-/13,8	ø21 x M8 x 50
06275-2125X14	06275-3125X14	125	14H7	30	18	37	-/5	-/16,3	ø21 x M8 x 50
06275-2140X14	06275-3140X14	140	14H7	34	19	34	-/5	-/16,3	ø21 x M8 x 50
06275-2140X15	06275-3140X15	140	15H7	34	19	34	-/5	-/17,3	ø21 x M8 x 50
06275-2160X15	06275-3160X15	160	15H7	40	20	40	-/5	-/17,3	ø26 x M10 x 80
06275-2160X16	06275-3160X16	160	16H7	40	20	40	-/5	-/18,3	ø26 x M10 x 80
06275-2200X18	06275-3200X18	200	18H7	50	24	46	-/6	-/20,8	ø26 x M10 x 80
06275-2200X20	06275-3200X20	200	20H7	50	24	46	-/6	-/22,8	ø26 x M10 x 80
06275-2250X22	06275-3250X22	250	22H7	50	28	49	-/6	-/24,8	ø28 x M12 x 90
06275-2250X24	06275-3250X24	250	24H7	50	28	49	-/8	-/27,3	ø28 x M12 x 90

## Handwheels disc, aluminium, with revolving cylinder grip

Order No. reamed hole	Order No. reamed hole with slot	D1	D2	D3	L1	L3	B3	T	Revolving cylinder grip
06275-4080X10	06275-5080X10	80	10H7	26	16	31	-/3	-/11,4	ø18 x M6 x 40
06275-4080X12	06275-5080X12	80	12H7	26	16	31	-/4	-/13,8	ø18 x M6 x 40
06275-4100X10	06275-5100X10	100	10H7	31	17	34	-/3	-/11,4	ø18 x M6 x 40
06275-4100X12	06275-5100X12	100	12H7	31	17	34	-/4	-/13,8	ø18 x M6 x 40
06275-4125X12	06275-5125X12	125	12H7	30	18	37	-/4	-/13,8	ø22 x M8 x 56
06275-4125X14	06275-5125X14	125	14H7	30	18	37	-/5	-/16,3	ø22 x M8 x 56
06275-4140X14	06275-5140X14	140	14H7	34	19	34	-/5	-/16,3	ø22 x M8 x 56
06275-4140X15	06275-5140X15	140	15H7	34	19	34	-/5	-/17,3	ø22 x M8 x 56
06275-4160X15	06275-5160X15	160	15H7	40	20	40	-/5	-/17,3	ø26 x M10 x 80
06275-4160X16	06275-5160X16	160	16H7	40	20	40	-/5	-/18,3	ø26 x M10 x 80
06275-4200X18	06275-5200X18	200	18H7	50	24	46	-/6	-/20,8	ø26 x M10 x 80
06275-4200X20	06275-5200X20	200	20H7	50	24	46	-/6	-/22,8	ø26 x M10 x 80
06275-4250X22	06275-5250X22	250	22H7	50	28	49	-/6	-/24,8	ø31 x M12 x 102
06275-4250X24	06275-5250X24	250	24H7	50	28	49	-/8	-/27,3	ø31 x M12 x 102

# Handwheels disc

aluminium



## Material:

Disc handwheel aluminium.  
Cylinder grip black thermoset PF 31-DIN 7708.  
Hub electro zinc-plated steel.

## Version:

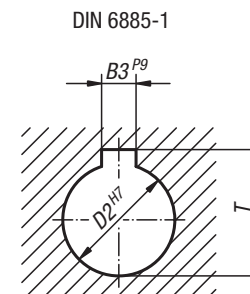
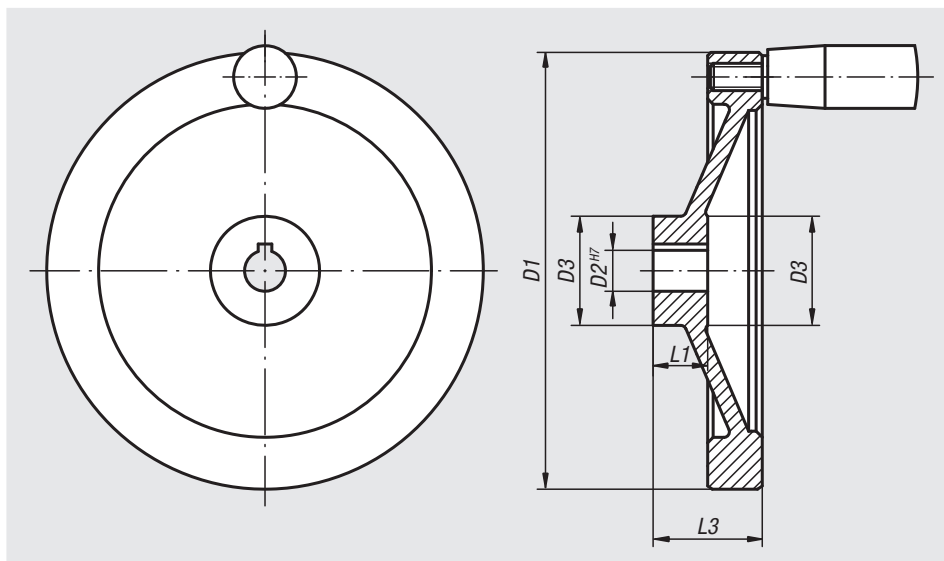
Black, powder-coated.  
Wheel rim turned.  
Radial and axial run-out of rim < IT 12.

## Sample order:

nIm 06275-01080x10

## On request:

Hubs with square socket.



## Handwheels disc, aluminium, without grip

Order No. reamed hole	Order No. reamed hole with slot	D1	D2	D3	L1	L3	B3	T
06275-01080X10	06275-11080X10	80	10H7	26	16	31	-/3	-/11,4
06275-01080X12	06275-11080X12	80	12H7	26	16	31	-/4	-/13,8
06275-01100X10	06275-11100X10	100	10H7	31	17	34	-/3	-/11,4
06275-01100X12	06275-11100X12	100	12H7	31	17	34	-/4	-/13,8
06275-01125X12	06275-11125X12	125	12H7	30	18	37	-/4	-/13,8
06275-01125X14	06275-11125X14	125	14H7	30	18	37	-/5	-/16,3
06275-01140X14	06275-11140X14	140	14H7	34	19	34	-/5	-/16,3
06275-01140X15	06275-11140X15	140	15H7	34	19	34	-/5	-/17,3
06275-01160X15	06275-11160X15	160	15H7	40	20	40	-/5	-/17,3
06275-01160X16	06275-11160X16	160	16H7	40	20	40	-/5	-/18,3
06275-01200X18	06275-11200X18	200	18H7	50	24	46	-/6	-/20,8
06275-01200X20	06275-11200X20	200	20H7	50	24	46	-/6	-/22,8
06275-01250X22	06275-11250X22	250	22H7	50	28	49	-/6	-/24,8
06275-01250X24	06275-11250X24	250	24H7	50	28	49	-/8	-/27,3

## Handwheels disc

aluminium

## Handwheels disc, aluminium, with fixed cylinder grip

Order No. reamed hole	Order No. reamed hole with slot	D1	D2	D3	L1	L3	B3	T	Fixed cylinder grip
06275-21080X10	06275-31080X10	80	10H7	26	16	31	-/3	-/11,4	ø18 x M6 x 40
06275-21080X12	06275-31080X12	80	12H7	26	16	31	-/4	-/13,8	ø18 x M6 x 40
06275-21100X10	06275-31100X10	100	10H7	31	17	34	-/3	-/11,4	ø18 x M6 x 40
06275-21100X12	06275-31100X12	100	12H7	31	17	34	-/4	-/13,8	ø18 x M6 x 40
06275-21125X12	06275-31125X12	125	12H7	30	18	37	-/4	-/13,8	ø21 x M8 x 50
06275-21125X14	06275-31125X14	125	14H7	30	18	37	-/5	-/16,3	ø21 x M8 x 50
06275-21140X14	06275-31140X14	140	14H7	34	19	34	-/5	-/16,3	ø21 x M8 x 50
06275-21140X15	06275-31140X15	140	15H7	34	19	34	-/5	-/17,3	ø21 x M8 x 50
06275-21160X15	06275-31160X15	160	15H7	40	20	40	-/5	-/17,3	ø26 x M10 x 80
06275-21160X16	06275-31160X16	160	16H7	40	20	40	-/5	-/18,3	ø26 x M10 x 80
06275-21200X18	06275-31200X18	200	18H7	50	24	46	-/6	-/20,8	ø26 x M10 x 80
06275-21200X20	06275-31200X20	200	20H7	50	24	46	-/6	-/22,8	ø26 x M10 x 80
06275-21250X22	06275-31250X22	250	22H7	50	28	49	-/6	-/24,8	ø28 x M12 x 90
06275-21250X24	06275-31250X24	250	24H7	50	28	49	-/8	-/27,3	ø28 x M12 x 90

## Handwheels disc, aluminium, with revolving cylinder grip

Order No. reamed hole	Order No. reamed hole with slot	D1	D2	D3	L1	L3	B3	T	Revolving cylinder grip
06275-41080X10	06275-51080X10	80	10H7	26	16	31	-/3	-/11,4	ø18 x M6 x 40
06275-41080X12	06275-51080X12	80	12H7	26	16	31	-/4	-/13,8	ø18 x M6 x 40
06275-41100X10	06275-51100X10	100	10H7	31	17	34	-/3	-/11,4	ø18 x M6 x 40
06275-41100X12	06275-51100X12	100	12H7	31	17	34	-/4	-/13,8	ø18 x M6 x 40
06275-41125X12	06275-51125X12	125	12H7	30	18	37	-/4	-/13,8	ø22 x M8 x 56
06275-41125X14	06275-51125X14	125	14H7	30	18	37	-/5	-/16,3	ø22 x M8 x 56
06275-41140X14	06275-51140X14	140	14H7	34	19	34	-/5	-/16,3	ø22 x M8 x 56
06275-41140X15	06275-51140X15	140	15H7	34	19	34	-/5	-/17,3	ø22 x M8 x 56
06275-41160X15	06275-51160X15	160	15H7	40	20	40	-/5	-/17,3	ø26 x M10 x 80
06275-41160X16	06275-51160X16	160	16H7	40	20	40	-/5	-/18,3	ø26 x M10 x 80
06275-41200X18	06275-51200X18	200	18H7	50	24	46	-/6	-/20,8	ø26 x M10 x 80
06275-41200X20	06275-51200X20	200	20H7	50	24	46	-/6	-/22,8	ø26 x M10 x 80
06275-41250X22	06275-51250X22	250	22H7	50	28	49	-/6	-/24,8	ø31 x M12 x 102
06275-41250X24	06275-51250X24	250	24H7	50	28	49	-/8	-/27,3	ø31 x M12 x 102