

Handwheels

DIN 950, aluminium



Material:

Handwheel aluminium.

Fixed grip aluminium, centre pin black oxidised steel.

Revolving grip aluminium, centre pin trivalent blue passivated steel.

Version:

Wheel rim turned and polished.

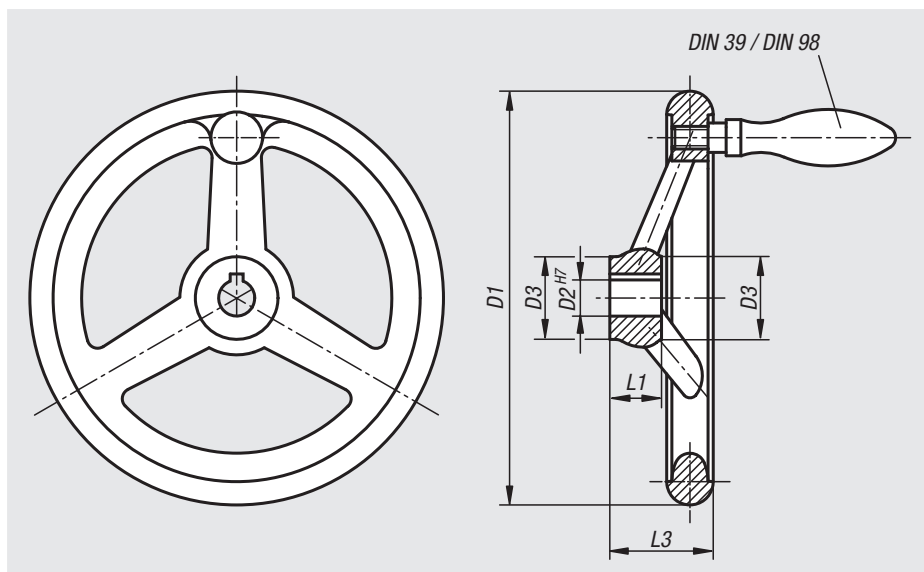
Radial and axial run-out of rim < IT 12.

Sample order:

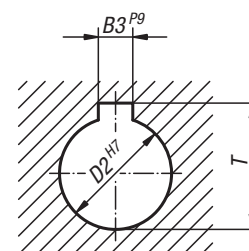
nIm 06273-4080X10

On request:

Hubs with square socket or powder-coated handwheels.



DIN 6885-1



Handwheels DIN 950 aluminium, without grip

Order No. reamed hole	Order No. reamed hole with slot	D1	D2	D3	L1	L3	B3	T	No. of spokes
06273-0080X10	06273-1080X10	80	10H7	25	16	29	-/3	-/11,4	3
06273-0080X12	06273-1080X12	80	12H7	25	16	29	-/4	-/13,8	3
06273-0100X10	06273-1100X10	100	10H7	29	17	33	-/3	-/11,4	3
06273-0100X12	06273-1100X12	100	12H7	29	17	33	-/4	-/13,8	3
06273-0125X12	06273-1125X12	125	12H7	31	18	36	-/4	-/13,8	3
06273-0125X14	06273-1125X14	125	14H7	31	18	36	-/5	-/16,3	3
06273-0140X14	06273-1140X14	140	14H7	36	19	39	-/5	-/16,3	3
06273-0140X16	06273-1140X16	140	16H7	36	19	39	-/5	-/18,3	3
06273-0160X14	06273-1160X14	160	14H7	36	20	40	-/5	-/16,3	3
06273-0160X16	06273-1160X16	160	16H7	36	20	40	-/5	-/18,3	3
06273-0180X16	06273-1180X16	180	16H7	37	22	43	-/5	-/18,3	3
06273-0180X18	06273-1180X18	180	18H7	37	22	43	-/6	-/20,8	3
06273-0200X18	06273-1200X18	200	18H7	43	24	45	-/6	-/20,8	3
06273-0200X22	06273-1200X22	200	22H7	43	24	45	-/6	-/24,8	3
06273-0250X22	06273-1250X22	250	22H7	49	28	50	-/6	-/24,8	5
06273-0250X26	06273-1250X26	250	26H7	49	28	50	-/8	-/29,3	5
06273-0315X26	06273-1315X26	315	26H7	54	33	56	-/8	-/29,3	5
06273-0315X30	06273-1315X30	315	30H7	54	33	56	-/8	-/33,3	5
06273-0400X30	06273-1400X30	400	30H7	65	38	63	-/8	-/33,3	5
06273-0400X34	06273-1400X34	400	34H7	65	38	63	-/10	-/37,3	5
06273-0500X34	06273-1500X34	500	34H7	79	45	72	-/10	-/37,3	5
06273-0500X40	06273-1500X40	500	40H7	79	45	72	-/12	-/43,3	5

Handwheels

DIN 950, aluminium

Handwheels DIN 950 aluminium, with fixed grip

Order No. reamed hole	Order No. reamed hole with slot	D1	D2	D3	L1	L3	B3	T	No. of spokes	fixed grip DIN 39 Form E
06273-2080X10	06273-3080X10	80	10H7	25	16	29	-/3	-/11,4	3	ø16 x M6 x 50
06273-2080X12	06273-3080X12	80	12H7	25	16	29	-/4	-/13,8	3	ø16 x M6 x 50
06273-2100X10	06273-3100X10	100	10H7	29	17	33	-/3	-/11,4	3	ø16 x M6 x 50
06273-2100X12	06273-3100X12	100	12H7	29	17	33	-/4	-/13,8	3	ø16 x M6 x 50
06273-2125X12	06273-3125X12	125	12H7	31	18	36	-/4	-/13,8	3	ø20 x M8 x 64
06273-2125X14	06273-3125X14	125	14H7	31	18	36	-/5	-/16,3	3	ø20 x M8 x 64
06273-2140X14	06273-3140X14	140	14H7	36	19	39	-/5	-/16,3	3	ø20 x M8 x 64
06273-2140X16	06273-3140X16	140	16H7	36	19	39	-/5	-/18,3	3	ø20 x M8 x 64
06273-2160X14	06273-3160X14	160	14H7	36	20	40	-/5	-/16,3	3	ø25 x M10 x 80
06273-2160X16	06273-3160X16	160	16H7	36	20	40	-/5	-/18,3	3	ø25 x M10 x 80
06273-2180X16	06273-3180X16	180	16H7	37	22	43	-/5	-/18,3	3	ø25 x M10 x 80
06273-2180X18	06273-3180X18	180	18H7	37	22	43	-/6	-/20,8	3	ø25 x M10 x 80
06273-2200X18	06273-3200X18	200	18H7	43	24	45	-/6	-/20,8	3	ø25 x M10 x 80
06273-2200X22	06273-3200X22	200	22H7	43	24	45	-/6	-/24,8	3	ø25 x M10 x 80
06273-2250X22	06273-3250X22	250	22H7	49	28	50	-/6	-/24,8	5	ø32 x M12 x 100
06273-2250X26	06273-3250X26	250	26H7	49	28	50	-/8	-/29,3	5	ø32 x M12 x 100
06273-2315X26	06273-3315X26	315	26H7	54	33	56	-/8	-/29,3	5	ø32 x M12 x 100
06273-2315X30	06273-3315X30	315	30H7	54	33	56	-/8	-/33,3	5	ø32 x M12 x 100
06273-2400X30	06273-3400X30	400	30H7	65	38	63	-/8	-/33,3	5	ø36 x M16 x 112
06273-2400X34	06273-3400X34	400	34H7	65	38	63	-/10	-/37,3	5	ø36 x M16 x 112
06273-2500X34	06273-3500X34	500	34H7	79	45	72	-/10	-/37,3	5	ø36 x M16 x 112
06273-2500X40	06273-3500X40	500	40H7	79	45	72	-/12	-/43,3	5	ø36 x M16 x 112

Handwheels DIN 950 aluminium, with revolving grip

Order No. reamed hole	Order No. reamed hole with slot	D1	D2	D3	L1	L3	B3	T	No. of spokes	revolving grip DIN 98 Form E
06273-4080X10	06273-5080X10	80	10H7	25	16	29	-/3	-/11,4	3	ø16 x M6 x 54,5
06273-4080X12	06273-5080X12	80	12H7	25	16	29	-/4	-/13,8	3	ø16 x M6 x 54,5
06273-4100X10	06273-5100X10	100	10H7	29	17	33	-/3	-/11,4	3	ø16 x M6 x 54,5
06273-4100X12	06273-5100X12	100	12H7	29	17	33	-/4	-/13,8	3	ø16 x M6 x 54,5
06273-4125X12	06273-5125X12	125	12H7	31	18	36	-/4	-/13,8	3	ø20 x M8 x 67
06273-4125X14	06273-5125X14	125	14H7	31	18	36	-/5	-/16,3	3	ø20 x M8 x 67
06273-4140X14	06273-5140X14	140	14H7	36	19	39	-/5	-/16,3	3	ø20 x M8 x 67
06273-4140X16	06273-5140X16	140	16H7	36	19	39	-/5	-/18,3	3	ø20 x M8 x 67
06273-4160X14	06273-5160X14	160	14H7	36	20	40	-/5	-/16,3	3	ø25 x M10 x 83
06273-4160X16	06273-5160X16	160	16H7	36	20	40	-/5	-/18,3	3	ø25 x M10 x 83
06273-4180X16	06273-5180X16	180	16H7	37	22	43	-/5	-/18,3	3	ø25 x M10 x 83
06273-4180X18	06273-5180X18	180	18H7	37	22	43	-/6	-/20,8	3	ø25 x M10 x 83
06273-4200X18	06273-5200X18	200	18H7	43	24	45	-/6	-/20,8	3	ø25 x M10 x 83
06273-4200X22	06273-5200X22	200	22H7	43	24	45	-/6	-/24,8	3	ø25 x M10 x 83
06273-4250X22	06273-5250X22	250	22H7	49	28	50	-/6	-/24,8	5	ø32 x M12 x 105,5
06273-4250X26	06273-5250X26	250	26H7	49	28	50	-/8	-/29,3	5	ø32 x M12 x 105,5
06273-4315X26	06273-5315X26	315	26H7	54	33	56	-/8	-/29,3	5	ø32 x M12 x 105,5
06273-4315X30	06273-5315X30	315	30H7	54	33	56	-/8	-/33,3	5	ø32 x M12 x 105,5
06273-4400X30	06273-5400X30	400	30H7	65	38	63	-/8	-/33,3	5	ø36 x M16 x 117
06273-4400X34	06273-5400X34	400	34H7	65	38	63	-/10	-/37,3	5	ø36 x M16 x 117
06273-4500X34	06273-5500X34	500	34H7	79	45	72	-/10	-/37,3	5	ø36 x M16 x 117
06273-4500X40	06273-5500X40	500	40H7	79	45	72	-/12	-/43,3	5	ø36 x M16 x 117