

# Handwheels

DIN 950, grey cast iron



## Material:

Handwheel, grey cast iron.  
Grip steel.

## Version:

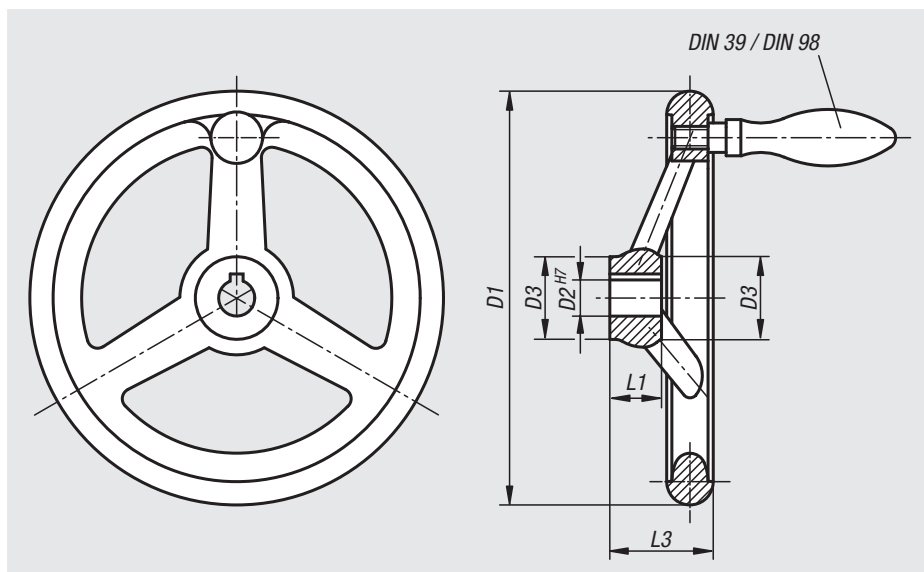
Wheel rim turned and polished.  
Radial and axial run-out of rim < IT 12.

## Sample order:

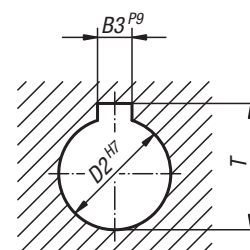
nln 06271-4080X10

## On request:

Hubs with square socket or powder-coated handwheels.



DIN 6885-1



## Handwheels DIN 950 grey cast iron, without grip

Order No. reamed hole	Order No. reamed hole with slot	D1	D2	D3	L1	L3	B3	T	No. of spokes
06271-0080X10	06271-1080X10	80	10H7	25	16	29	-/3	-/11,4	3
06271-0080X12	06271-1080X12	80	12H7	25	16	29	-/4	-/13,8	3
06271-0100X10	06271-1100X10	100	10H7	26	17	33	-/3	-/11,4	3
06271-0100X12	06271-1100X12	100	12H7	26	17	33	-/4	-/13,8	3
06271-0125X12	06271-1125X12	125	12H7	33	18	36	-/4	-/13,8	3
06271-0125X14	06271-1125X14	125	14H7	33	18	36	-/5	-/16,3	3
06271-0140X14	06271-1140X14	140	14H7	33	19	39	-/5	-/16,3	3
06271-0140X16	06271-1140X16	140	16H7	33	19	39	-/5	-/18,3	3
06271-0160X14	06271-1160X14	160	14H7	37	20	40	-/5	-/16,3	3
06271-0160X16	06271-1160X16	160	16H7	37	20	40	-/5	-/18,3	3
06271-0180X16	06271-1180X16	180	16H7	36	22	43	-/5	-/18,3	3
06271-0180X18	06271-1180X18	180	18H7	36	22	43	-/6	-/20,8	3
06271-0200X18	06271-1200X18	200	18H7	38	24	45	-/6	-/20,8	3
06271-0200X22	06271-1200X22	200	22H7	38	24	45	-/6	-/24,8	3
06271-0250X22	06271-1250X22	250	22H7	46	28	50	-/6	-/24,8	5
06271-0250X26	06271-1250X26	250	26H7	46	28	50	-/8	-/29,3	5
06271-0315X26	06271-1315X26	315	26H7	54	33	56	-/8	-/29,3	5
06271-0315X30	06271-1315X30	315	30H7	54	33	56	-/8	-/33,3	5
06271-0400X30	06271-1400X30	400	30H7	68	38	63	-/8	-/33,3	5
06271-0400X34	06271-1400X34	400	34H7	68	38	63	-/10	-/37,3	5
06271-0500X34	06271-1500X34	500	34H7	79	45	72	-/10	-/37,3	5
06271-0500X40	06271-1500X40	500	40H7	79	45	72	-/12	-/43,3	5

# Handwheels

DIN 950, grey cast iron

## Handwheels DIN 950 grey cast iron, with fixed grip

Order No. reamed hole	Order No. reamed hole with slot	D1	D2	D3	L1	L3	B3	T	No. of spokes	fixed grip DIN 39 Form E
06271-2080X10	06271-3080X10	80	10H7	25	16	29	-/3	-/11,4	3	ø16 x M6 x 50
06271-2080X12	06271-3080X12	80	12H7	25	16	29	-/4	-/13,8	3	ø16 x M6 x 50
06271-2100X10	06271-3100X10	100	10H7	26	17	33	-/3	-/11,4	3	ø16 x M6 x 50
06271-2100X12	06271-3100X12	100	12H7	26	17	33	-/4	-/13,8	3	ø16 x M6 x 50
06271-2125X12	06271-3125X12	125	12H7	33	18	36	-/4	-/13,8	3	ø20 x M8 x 64
06271-2125X14	06271-3125X14	125	14H7	33	18	36	-/5	-/16,3	3	ø20 x M8 x 64
06271-2140X14	06271-3140X14	140	14H7	33	19	39	-/5	-/16,3	3	ø20 x M8 x 64
06271-2140X16	06271-3140X16	140	16H7	33	19	39	-/5	-/18,3	3	ø20 x M8 x 64
06271-2160X14	06271-3160X14	160	14H7	37	20	40	-/5	-/16,3	3	ø25 x M10 x 80
06271-2160X16	06271-3160X16	160	16H7	37	20	40	-/5	-/18,3	3	ø25 x M10 x 80
06271-2180X16	06271-3180X16	180	16H7	36	22	43	-/5	-/18,3	3	ø25 x M10 x 80
06271-2180X18	06271-3180X18	180	18H7	36	22	43	-/6	-/20,8	3	ø25 x M10 x 80
06271-2200X18	06271-3200X18	200	18H7	38	24	45	-/6	-/20,8	3	ø25 x M10 x 80
06271-2200X22	06271-3200X22	200	22H7	38	24	45	-/6	-/24,8	3	ø25 x M10 x 80
06271-2250X22	06271-3250X22	250	22H7	46	28	50	-/6	-/24,8	5	ø32 x M12 x 100
06271-2250X26	06271-3250X26	250	26H7	46	28	50	-/8	-/29,3	5	ø32 x M12 x 100
06271-2315X26	06271-3315X26	315	26H7	54	33	56	-/8	-/29,3	5	ø32 x M12 x 100
06271-2315X30	06271-3315X30	315	30H7	54	33	56	-/8	-/33,3	5	ø32 x M12 x 100
06271-2400X30	06271-3400X30	400	30H7	68	38	63	-/8	-/33,3	5	ø36 x M16 x 112
06271-2400X34	06271-3400X34	400	34H7	68	38	63	-/10	-/37,3	5	ø36 x M16 x 112
06271-2500X34	06271-3500X34	500	34H7	79	45	72	-/10	-/37,3	5	ø36 x M16 x 112
06271-2500X40	06271-3500X40	500	40H7	79	45	72	-/12	-/43,3	5	ø36 x M16 x 112

## Handwheels DIN 950 grey cast iron, with revolving grip

Order No. reamed hole	Order No. reamed hole with slot	D1	D2	D3	L1	L3	B3	T	No. of spokes	revolving grip DIN 98 Form E
06271-4080X10	06271-5080X10	80	10H7	25	16	29	-/3	-/11,4	3	ø16 x M6 x 54,5
06271-4080X12	06271-5080X12	80	12H7	25	16	29	-/4	-/13,8	3	ø16 x M6 x 54,5
06271-4100X10	06271-5100X10	100	10H7	26	17	33	-/3	-/11,4	3	ø16 x M6 x 54,5
06271-4100X12	06271-5100X12	100	12H7	26	17	33	-/4	-/13,8	3	ø16 x M6 x 54,5
06271-4125X12	06271-5125X12	125	12H7	33	18	36	-/4	-/13,8	3	ø20 x M8 x 67
06271-4125X14	06271-5125X14	125	14H7	33	18	36	-/5	-/16,3	3	ø20 x M8 x 67
06271-4140X14	06271-5140X14	140	14H7	33	19	39	-/5	-/16,3	3	ø20 x M8 x 67
06271-4140X16	06271-5140X16	140	16H7	33	19	39	-/5	-/18,3	3	ø20 x M8 x 67
06271-4160X14	06271-5160X14	160	14H7	37	20	40	-/5	-/16,3	3	ø25 x M10 x 83
06271-4160X16	06271-5160X16	160	16H7	37	20	40	-/5	-/18,3	3	ø25 x M10 x 83
06271-4180X16	06271-5180X16	180	16H7	36	22	43	-/5	-/18,3	3	ø25 x M10 x 83
06271-4180X18	06271-5180X18	180	18H7	36	22	43	-/6	-/20,8	3	ø25 x M10 x 83
06271-4200X18	06271-5200X18	200	18H7	38	24	45	-/6	-/20,8	3	ø25 x M10 x 83
06271-4200X22	06271-5200X22	200	22H7	38	24	45	-/6	-/24,8	3	ø25 x M10 x 83
06271-4250X22	06271-5250X22	250	22H7	46	28	50	-/6	-/24,8	5	ø32 x M12 x 105,5
06271-4250X26	06271-5250X26	250	26H7	46	28	50	-/8	-/29,3	5	ø32 x M12 x 105,5
06271-4315X26	06271-5315X26	315	26H7	54	33	56	-/8	-/29,3	5	ø32 x M12 x 105,5
06271-4315X30	06271-5315X30	315	30H7	54	33	56	-/8	-/33,3	5	ø32 x M12 x 105,5
06271-4400X30	06271-5400X30	400	30H7	68	38	63	-/8	-/33,3	5	ø36 x M16 x 117
06271-4400X34	06271-5400X34	400	34H7	68	38	63	-/10	-/37,3	5	ø36 x M16 x 117
06271-4500X34	06271-5500X34	500	34H7	79	45	72	-/10	-/37,3	5	ø36 x M16 x 117
06271-4500X40	06271-5500X40	500	40H7	79	45	72	-/12	-/43,3	5	ø36 x M16 x 117