

Handwheels

with safety grip



Material:

Black grey thermoplastic.

Version:

Steel parts black oxidised.

Sample order:

nIm 06265-108008

Note:

The hub cover is supplied unassembled.

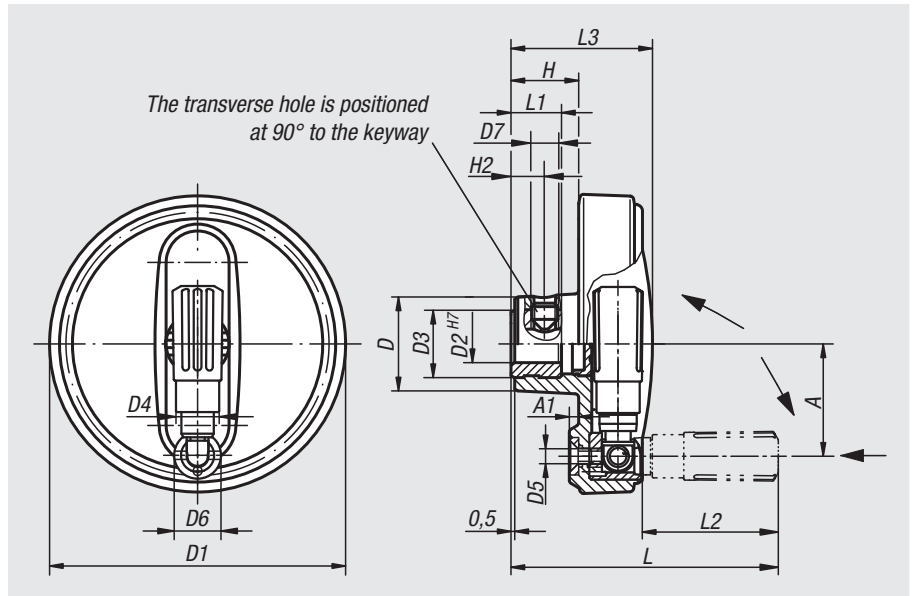
The handwheels can be secured using a transverse pin or by parallel key connection together with a DIN 6912 socket head screw and a DIN 7349 washer. Two actions must be made to bring the cylindrical safety grip into an operating position:

- Swing the grip out up to the stop (90°).
- Push the grip in an axial direction into the lock position.

The pushed-in position is the most comfortable for cranking. The grip swings back automatically after releasing.

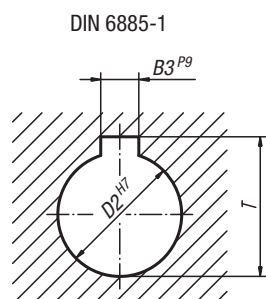
Versions with transverse bore are secured using the ISO 4026 (DIN 913) grub screw.

For assembly example, see 06262.



Handwheels

with safety grip



Handwheels with safety cylinder grip

Order No. reamed hole	Order No. reamed hole with slot	D	D1	D2	D3	D4	D5	D6	A	A1	H	L	L1	L2	L3	B3	T
06265-108008	06265-10800802	25	80	8H7	19	14	M4	13	30	2,5	17,6	72,6	13	38	36,7	-/2	-/9
06265-108010	06265-10801003	25	80	10H7	19	14	M4	13	30	2,5	17,6	72,6	13	38	36,7	-/3	-/11,4
06265-108012	06265-10801204	25	80	12H7	19	14	M4	13	30	2,5	17,6	72,6	13	38	36,7	-/4	-/13,8
06265-210010	06265-21001003	28	100	10H7	19	16	M5	16	38	3	20,1	88,6	13	47,5	43,5	-/3	-/11,4
06265-210012	06265-21001204	28	100	12H7	19	16	M5	16	38	3	20,1	88,6	13	47,5	43,5	-/4	-/13,8
06265-312512	06265-31251204	35	125	12H7	25	20	M6	20	47,5	4	23,3	107,7	18,5	58,4	52,1	-/4	-/13,8
06265-312514	06265-31251405	35	125	14H7	25	20	M6	20	47,5	4	23,3	107,7	18,5	58,4	52,1	-/5	-/16,3
06265-312516	06265-31251605	35	125	16H7	25	20	M6	20	47,5	4	23,3	107,7	18,5	58,4	52,1	-/5	-/18,3
06265-416014	06265-41601405	45	160	14H7	25	25	M8	26	62	5,6	28	142	18,5	81,6	63,8	-/5	-/16,3
06265-416016	06265-41601605	45	160	16H7	25	25	M8	26	62	5,6	28	142	18,5	81,6	63,8	-/5	-/18,3

Handwheels with safety cylinder grip with transverse bore

Order No. reamed hole	Order No. reamed hole with slot	D	D1	D2	D3	D4	D5	D6	D7	A	A1	H	H2	L	L1	L2	L3	B3	T
06265-1080086	06265-108008026	25	80	8H7	19	14	M4	13	M6	30	2,5	17,6	7,5	72,6	13	38	36,7	-/2	-/9
06265-1080106	06265-108010036	25	80	10H7	19	14	M4	13	M6	30	2,5	17,6	7,5	72,6	13	38	36,7	-/3	-/11,4
06265-1080126	06265-108012046	25	80	12H7	19	14	M4	13	M6	30	2,5	17,6	7,5	72,6	13	38	36,7	-/4	-/13,8
06265-2100106	06265-210010036	28	100	10H7	19	16	M5	16	M6	38	3	20,1	7,5	88,6	13	47,5	43,5	-/3	-/11,4
06265-2100126	06265-210012046	28	100	12H7	19	16	M5	16	M6	38	3	20,1	7,5	88,6	13	47,5	43,5	-/4	-/13,8
06265-3125126	06265-312512046	35	125	12H7	25	20	M6	20	M6	47,5	4	23,3	7,5	107,7	18,5	58,4	52,1	-/4	-/13,8
06265-3125146	06265-312514056	35	125	14H7	25	20	M6	20	M6	47,5	4	23,3	7,5	107,7	18,5	58,4	52,1	-/5	-/16,3
06265-3125166	06265-312516056	35	125	16H7	25	20	M6	20	M6	47,5	4	23,3	7,5	107,7	18,5	58,4	52,1	-/5	-/18,3
06265-4160146	06265-416014056	45	160	14H7	25	25	M8	26	M6	62	5,6	28	7,5	142	18,5	81,6	63,8	-/5	-/16,3
06265-4160166	06265-416016056	45	160	16H7	25	25	M8	26	M6	62	5,6	28	7,5	142	18,5	81,6	63,8	-/5	-/18,3