

# Handwheels

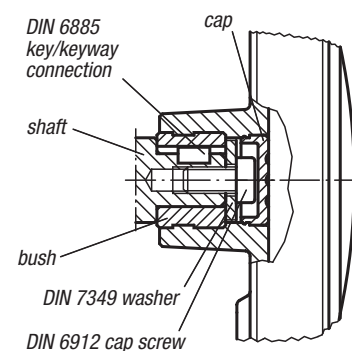
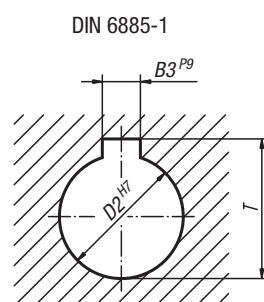
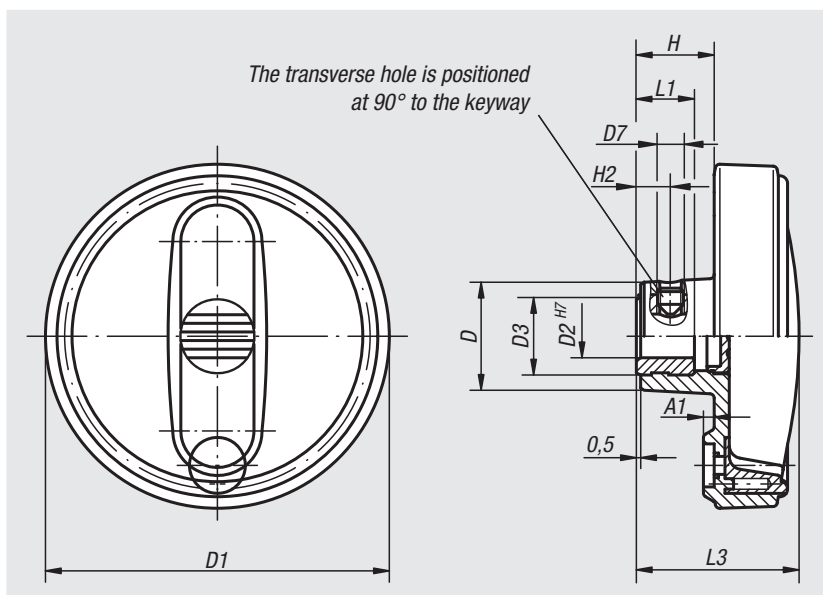


**Material:**  
Black grey thermoplastic.

**Version:**  
Steel parts black oxidised.

**Sample order:**  
nlm 06262-108008

**Note:**  
The hub cap is supplied loose.  
The handwheels can be secured using a transverse pin or by parallel key connection together with a DIN 6912 socket head screw and a DIN 7349 washer.  
Versions with transverse bore are fastened using the ISO 4027 (DIN 914) grub screws.



## Handwheels

Order No. reamed hole	Order No. reamed hole with slot	D	D1	D2	D3	A1	H	L1	L3	B3	T
06262-108008	06262-10800802	25	80	8H7	19	2,5	17,5	13	37,5	-/2	-/9
06262-108010	06262-10801003	25	80	10H7	19	2,5	17,5	13	37,5	-/3	-/11,4
06262-108012	06262-10801204	25	80	12H7	19	2,5	17,5	13	37,5	-/4	-/13,8
06262-210010	06262-21001003	28	100	10H7	19	3	20	13	44	-/3	-/11,4
06262-210012	06262-21001204	28	100	12H7	19	3	20	13	44	-/4	-/13,8
06262-312512	06262-31251204	35	125	12H7	25	4	23,5	18,5	53	-/4	-/13,8
06262-312514	06262-31251405	35	125	14H7	25	4	23,5	18,5	53	-/5	-/16,3
06262-312516	06262-31251605	35	125	16H7	25	4	23,5	18,5	53	-/5	-/18,3
06262-416014	06262-41601405	45	160	14H7	25	5,6	28	18,5	64,5	-/5	-/16,3
06262-416016	06262-41601605	45	160	16H7	25	5,6	28	18,5	64,5	-/5	-/18,3

## Handwheels with transverse bore

Order No. reamed hole	Order No. reamed hole with slot	D	D1	D2	D3	D7	A1	H	H2	L1	L3	B3	T
06262-1080086	06262-108008026	25	80	8H7	19	M6	2,5	17,5	7,5	13	37,5	-/2	-/9
06262-1080106	06262-108010036	25	80	10H7	19	M6	2,5	17,5	7,5	13	37,5	-/3	-/11,4
06262-1080126	06262-108012046	25	80	12H7	19	M6	2,5	17,5	7,5	13	37,5	-/4	-/13,8
06262-2100106	06262-210010036	28	100	10H7	19	M6	3	20	7,5	13	44	-/3	-/11,4
06262-2100126	06262-210012046	28	100	12H7	19	M6	3	20	7,5	13	44	-/4	-/13,8
06262-3125126	06262-312512046	35	125	12H7	25	M6	4	23,5	7,5	18,5	53	-/4	-/13,8
06262-3125146	06262-312514056	35	125	14H7	25	M6	4	23,5	7,5	18,5	53	-/5	-/16,3
06262-3125166	06262-312516056	35	125	16H7	25	M6	4	23,5	7,5	18,5	53	-/5	-/18,3
06262-4160146	06262-416014056	45	160	14H7	25	M6	5,6	28	7,5	18,5	64,5	-/5	-/16,3
06262-4160166	06262-416016056	45	160	16H7	25	M6	5,6	28	7,5	18,5	64,5	-/5	-/18,3