

Handwheels 2-spoke

plastic



Material:

Handwheel, reinforced and stabilised polyamide.

Centre caps, polyamide.

Centre bushes, steel.

Version:

Handwheel, oil and grease resistant, black (RAL 9011), satin finish.

Centre caps, grey (RAL 7035).

Centre bushes, black oxidised.

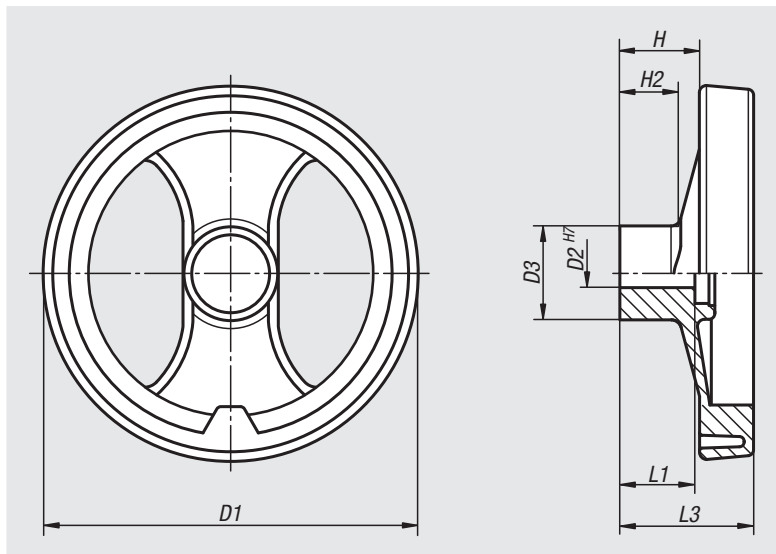
Sample order:

nIm 06255-0080X08

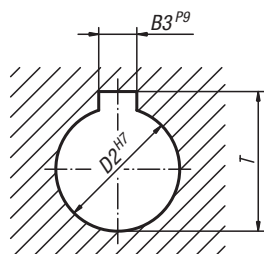
On request:

Other cap colours.

Special versions.



DIN 6885-1



Order No. reamed hole	Order No. reamed hole with slot	D1	D2	D3	H	H2	L1	L3	B3	T
06255-0080X08	06255-1080X08	80	8H7	24,5	20	16	20	34	-/2	-/9
06255-0080X10	06255-1080X10	80	10H7	24,5	20	16	20	34	-/3	-/11,4
06255-0100X10	06255-1100X10	99	10H7	28	25,5	20	24	42	-/3	-/11,4
06255-0100X12	06255-1100X12	99	12H7	28	25,5	20	24	42	-/4	-/13,8
06255-0130X12	06255-1130X12	129	12H7	32	30	21	24	50	-/4	-/13,8
06255-0130X14	06255-1130X14	129	14H7	32	30	21	24	50	-/5	-/16,3
06255-0160X14	06255-1160X14	159	14H7	40	33	22	32	57	-/5	-/16,3
06255-0160X16	06255-1160X16	159	16H7	40	33	22	32	57	-/5	-/18,3
06255-0200X16	06255-1200X16	198	16H7	51	31	17,5	32	60	-/5	-/18,3
06255-0200X20	06255-1200X20	198	20H7	51	31	17,5	32	60	-/6	-/22,8
06255-0250X20	06255-1250X20	252	20H7	55,5	39,5	24	36	71	-/6	-/22,8
06255-0250X24	06255-1250X24	252	24H7	55,5	39,5	24	36	71	-/8	-/27,3
06255-0345X20	06255-1345X20	346	20H7	67,5	42	24	32	79	-/6	-/22,8

Handwheels 2-spoke

plastic, with revolving grip



Material:

Handwheel, reinforced and stabilised polyamide.
Centre caps, polyamide.
Centre bushes, steel.
Tapped insert for cylinder grip, brass.

Version:

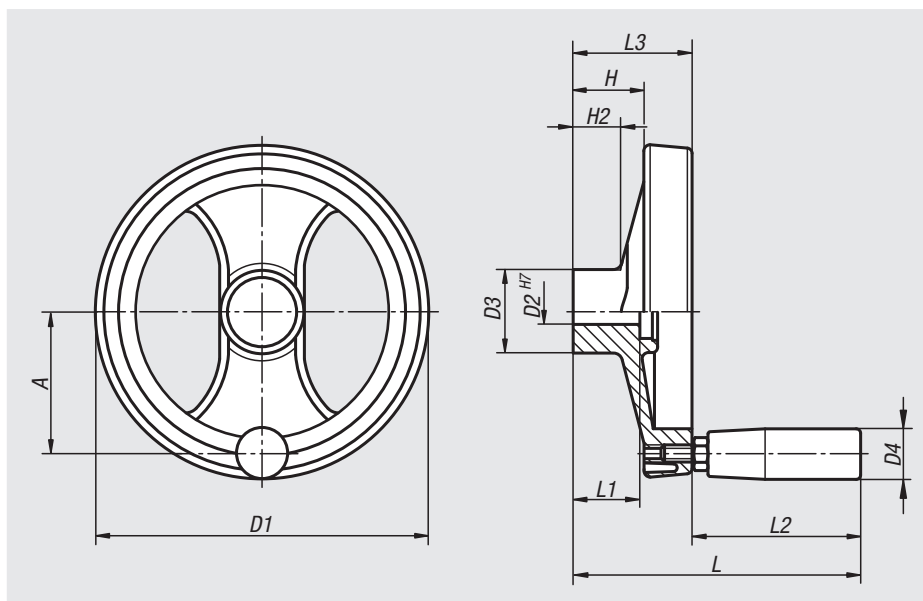
Handwheel, oil and grease resistant, black (RAL 9011), satin finish.
Centre caps, grey (RAL 7035).
Centre bushes, black oxidised.

Sample order:

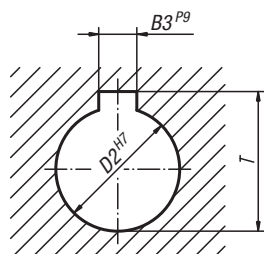
nIm 06255-4080X08

On request:

Other cap colours.
Special versions.



DIN 6885-1



Order No. reamed hole	Order No. reamed hole with slot	D1	D2	D3	D4	H	H2	A	L	L1	L2	L3	B3	T
06255-4080X08	06255-5080X08	80	8H7	24,5	20	20	16	30	85	20	51	34	-/2	-/9
06255-4080X10	06255-5080X10	80	10H7	24,5	20	20	16	30	85	20	51	34	-/3	-/11,4
06255-4100X10	06255-5100X10	99	10H7	28	20	25,5	20	38	93	24	51	43	-/3	-/11,4
06255-4100X12	06255-5100X12	99	12H7	28	20	25,5	20	38	93	24	51	43	-/4	-/13,8
06255-4130X12	06255-5130X12	129	12H7	32	23	30	21	55	112	24	62	50	-/4	-/13,8
06255-4130X14	06255-5130X14	129	14H7	32	23	30	21	55	112	24	62	50	-/5	-/16,3
06255-4160X14	06255-5160X14	159	14H7	40	23	33	22	66	119	32	62	57	-/5	-/16,3
06255-4160X16	06255-5160X16	159	16H7	40	23	33	22	66	119	32	62	57	-/5	-/18,3
06255-4200X16	06255-5200X16	198	16H7	51	26	31	17,5	82	141	32	81	60	-/5	-/18,3
06255-4200X20	06255-5200X20	198	20H7	51	26	31	17,5	82	141	32	81	60	-/6	-/22,8
06255-4250X20	06255-5250X20	252	20H7	55,5	27	39,5	24	113	163	36	92	71	-/6	-/22,8
06255-4250X24	06255-5250X24	252	24H7	55,5	27	39,5	24	113	163	36	92	71	-/8	-/27,3
06255-4345X20	06255-5345X20	346	20H7	67,5	27	42	24	146	171	32	92	79	-/6	-/22,8

Handwheels 2-spoke

plastic, with folding grip



Material:

Handwheel, reinforced and stabilised polyamide.
Centre caps, polyamide.
Centre bush and tapped insert for cylinder grip, steel.

Version:

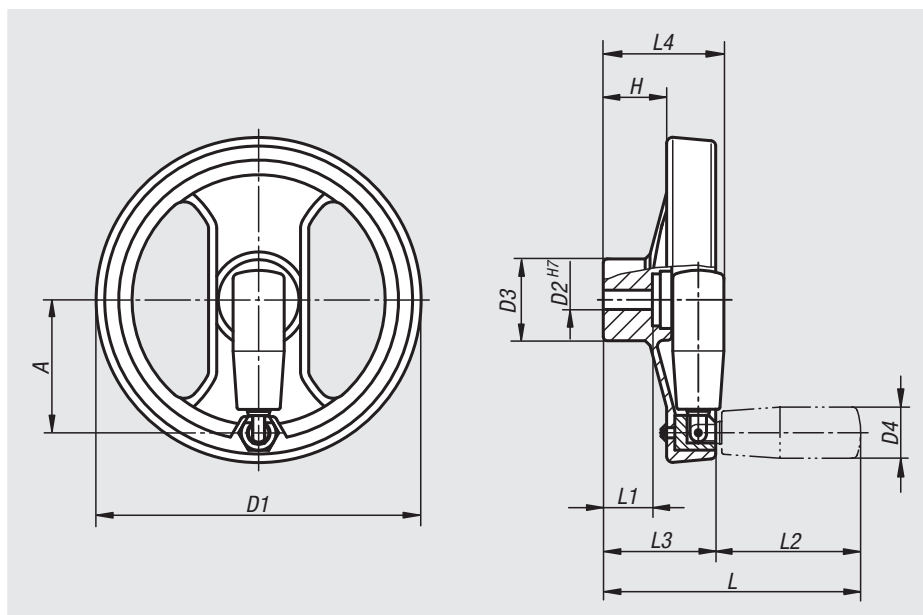
Handwheel, oil and grease resistant, black (RAL 9011), satin finish.
Centre caps, grey (RAL 7035).
Centre bush and taped insert for folding grip, black oxidised.

Sample order:

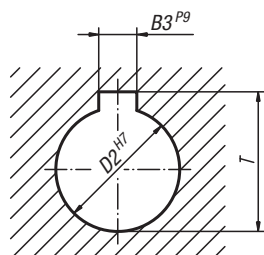
nIm 06255-6130X12

On request:

Other cap colours.
Special versions.



DIN 6885-1



Order No. reamed hole	Order No. reamed hole with slot	D1	D2	D3	D4	A	H	L	L1	L2	L3	L4	B3	T
06255-6130X12	06255-7130X12	129	12H7	32	20	51	29	111	20	59	52	53	-/4	-/13,8
06255-6130X14	06255-7130X14	129	14H7	32	20	51	29	111	20	59	52	53	-/5	-/16,3
06255-6160X14	06255-7160X14	159	14H7	40	25	65	31	126	24	71	55	59	-/5	-/16,3
06255-6160X16	06255-7160X16	159	16H7	40	25	65	31	126	24	71	55	59	-/5	-/18,3
06255-6200X16	06255-7200X16	200	16H7	54,5	27	80	33	160	28	91	69	69	-/5	-/18,3
06255-6200X20	06255-7200X20	200	20H7	54,5	27	80	33	160	28	91	69	69	-/6	-/22,8
06255-6345X20	06255-7345X20	346	20H7	67,5	27	148	43,5	144	32	91	80	80	-/6	-/22,8