

Five lobe grips



Material:

Black thermoplastic.
Bush and screw 5.8 steel or 1.4305 stainless steel.

Version:

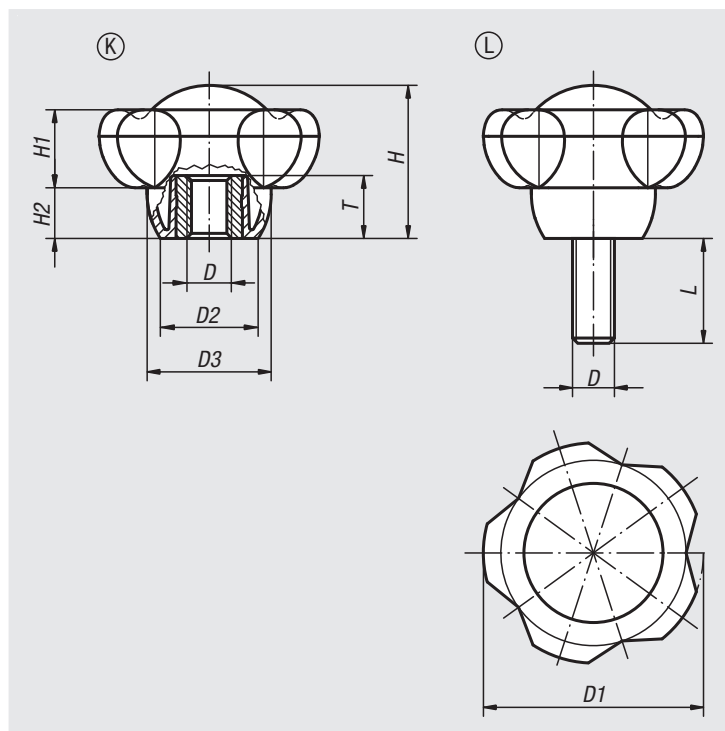
Steel trivalent blue passivated, stainless steel bright.

Sample order:

nIm 06253-50106X30
(cap colour traffic red; include length L)

Note:

The screw lengths 15, 35 and 45 are not available in stainless steel.
Δ Add the desired cap colour here. No colour code is required for black grey caps.



Order No. steel	Order No. stainless steel	Form	D	D1	D2	D3	H	H1	H2	T
06253-5008Δ	06253-50081Δ	K	M8	50	22,2	28,2	34,8	17,8	11,5	14
06253-5010Δ	06253-50101Δ	K	M10	50	22,2	28,2	34,8	17,8	11,5	14
06253-5012Δ	06253-50121Δ	K	M12	50	22,2	28,2	34,8	17,8	11,5	18
06253-6310Δ	06253-63101Δ	K	M10	63	28	35,5	44	22,5	14,5	14
06253-6312Δ	06253-63121Δ	K	M12	63	28	35,5	44	22,5	14,5	18
06253-6316Δ	-	K	M16	63	28	35,5	44	22,5	14,5	18

Order No. steel	Order No. stainless steel	Form	D	D1	D2	D3	H	H1	H2	L
06253-5010ΔX	06253-50101ΔX	L	M10	50	22,2	28,2	34,8	17,8	11,5	15/20/25/30/35/40/45/50/60
06253-5012ΔX	-	L	M12	50	22,2	28,2	34,8	17,8	11,5	15/20/25/30/35/40/45/50/60
06253-6310ΔX	06253-63101ΔX	L	M10	63	28	35,5	44	22,5	14,5	20/25/30/35/40/45/50/60
06253-6312ΔX	-	L	M12	63	28	35,5	44	22,5	14,5	20/25/30/35/40/45/50/60