

Ball knobs

thermoplastic DIN 319 enhanced


Material:

Black thermoplastic.
Bush steel.

Version:

Steel electro zinc-plated.

Sample order:

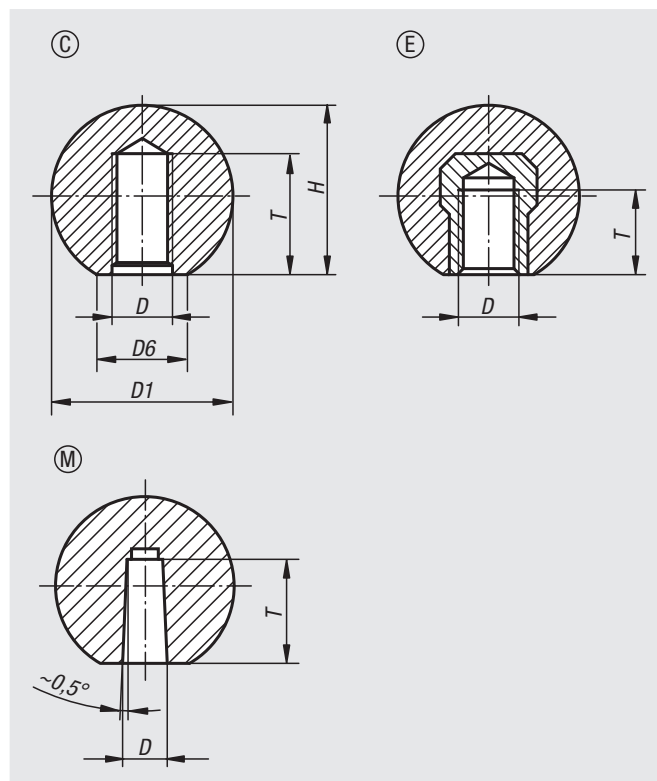
nIm 06247-11604

On request:

Other colours.

Drawing reference:

Form C: plastic thread
Form E: tapped bush
Form M: tapered hole



Order No.	Form	D	D1	D6	H	T
06247-11604	C	M4	16	8	15	6
06247-11605	C	M5	16	8	15	7,5
06247-12005	C	M5	20	12	18	7,5
06247-12006	C	M6	20	12	18	9
06247-12506	C	M6	25	15	22,5	9
06247-12508	C	M8	25	15	22,5	12
06247-13208	C	M8	32	18	29	12
06247-13210	C	M10	32	18	29	15
06247-14010	C	M10	40	22	37	15
06247-14012	C	M12	40	22	37	15
06247-22005	E	M5	20	12	18	7,5
06247-22006	E	M6	20	12	18	7,5
06247-22506	E	M6	25	15	22,5	9
06247-22508	E	M8	25	15	22,5	9
06247-23208	E	M8	32	18	29	12
06247-23210	E	M10	32	18	29	12
06247-32005	M	5	20	12	18	12
06247-32506	M	6	25	15	22,5	15
06247-32508	M	8	25	15	22,5	15
06247-33208	M	8	32	18	29	15
06247-33210	M	10	32	18	29	15
06247-34010	M	10	40	22	37	20
06247-34012	M	12	40	22	37	20

Ball knobs

stainless steel or aluminium DIN 319


Material:

Stainless steel 1.4305 or aluminium.

Version:

Polished.

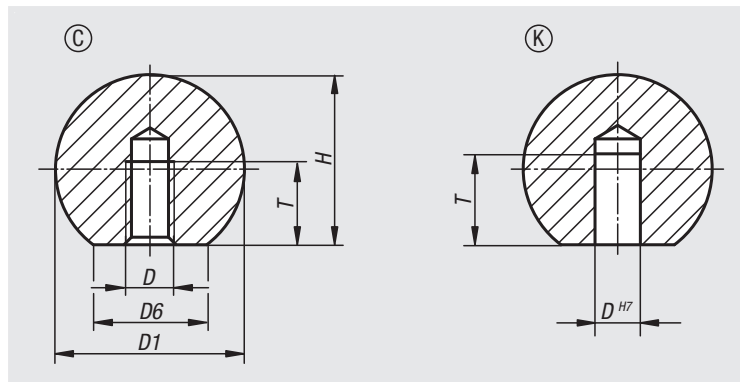
Sample order:

nIm 06247-116043

Drawing reference:

Form C: tapped hole

Form K: reamed hole



Order No.	Form	Main material	Steel code	D	D1	D6	H	T
06247-116044	C	stainless steel	1.4301	M4	16	8	15	7,2
06247-140104	C	stainless steel	1.4301	M10	40	22	37	18
06247-132084	C	stainless steel	1.4301	M8	32	18	29	14,5
06247-150124	C	stainless steel	1.4301	M12	50	28	46	21
06247-125064	C	stainless steel	1.4301	M6	25	15	22,5	11
06247-120054	C	stainless steel	1.4301	M5	20	12	18	9,1
06247-116043	C	aluminium	-	M4	16	8	15	7,2
06247-120053	C	aluminium	-	M5	20	12	18	9,1
06247-125063	C	aluminium	-	M6	25	15	22,5	11
06247-132083	C	aluminium	-	M8	32	18	29	14,5
06247-140103	C	aluminium	-	M10	40	22	37	18
06247-150123	C	aluminium	-	M12	50	28	46	21

Order No.	Form	Main material	Steel code	D	D1	D6	H	T
06247-316042	K	stainless steel	1.4305	6	16	8	15	10
06247-320052	K	stainless steel	1.4305	8	20	12	18	12
06247-325062	K	stainless steel	1.4305	10	25	15	22,5	16
06247-332082	K	stainless steel	1.4305	12	32	18	29	20
06247-340102	K	stainless steel	1.4305	16	40	22	37	25
06247-350122	K	stainless steel	1.4305	20	50	28	46	32
06247-316043	K	aluminium	-	6	16	8	15	10
06247-320053	K	aluminium	-	8	20	12	18	12
06247-325063	K	aluminium	-	10	25	15	22,5	16
06247-332083	K	aluminium	-	12	32	18	29	20
06247-340103	K	aluminium	-	16	40	22	37	25
06247-350123	K	aluminium	-	20	50	28	46	32