

Mushroom knobs

internal thread



Material:

Black thermoplastic.

Bush grade 5.8 steel or 1.4305 stainless steel.

Version:

Steel trivalent blue passivated, stainless steel bright.

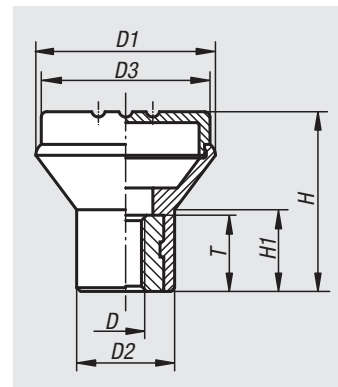
Sample order:








nIm 06241-046 (cap colour traffic red)

Note:

Δ Add the desired cap colour here.

No colour code is required for black grey caps.



black grey  RAL 7021	pure orange Δ = 1  RAL 2004	signal green Δ = 2  RAL 6032	traffic blue Δ = 3  RAL 5017
light grey Δ = 5  RAL 7035	traffic red Δ = 6  RAL 3020	colza yellow Δ = 7  RAL 1021	

Order No. steel	Order No. stainless steel	D	D1	D2	D3	H	H1	T
06241-04Δ	06241-004Δ	M4	21	12	19	21	10	10
06241-05Δ	06241-005Δ	M5	21	12	19	21	10	10
06241-06Δ	06241-006Δ	M6	25	14	23	25	12	10
06241-08Δ	06241-008Δ	M8	33	19	31	33	15	14

Mushroom knobs antistatic

internal thread



Material:

Thermoplastic, graphite black.
Bush steel 5.8.

Version:

Bush blue passivated

Sample order:

nIm 06241-110524

Application:

Sensitive electrical or electronic equipment, components and devices (ESD sensitive elements) may be damaged or destroyed by electrostatic discharges (ESD) in the immediate vicinity.

Electrostatic discharges can come from people or through handling ESD sensitive components (e.g. during production, assembly, transport, storage etc).

Electrically conductive products which conform to DIN EN 61340-5-1 are essential within electronic environments to prevent an electrostatic discharge.

These products can be used for ESD applications or in ESD protection areas (EPA) in accordance with DIN EN 61340-5-1.

Safety:

These ESD products can also be used for devices, components and protection systems in areas with high risk of explosion.

Use of these ESD products prevents the occurrence of electrostatic spark discharges, eliminating the potential ignition of gases and dusts which could lead to explosions in enclosed spaces.

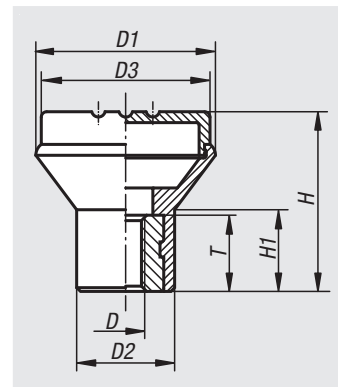
Manufacturers and operators must use and conform to ATEX directives for the protection of persons working in areas with high risk of explosion.

These ESD products are certified by TÜV-Süd in relation to their electrical discharge capability.

Target groups:

Device manufacturers required to conform to ATEX product directive 2014/34/EU.

Operators required to conform to ATEX worker protection directive 1999/92/EC.



Order No.	Main colour	D	D1	D2	D3	H	H1	T
06241-110524	graphite black RAL 9011	M5	21	12	19	21	10	10