

# Mushroom knobs

with internal thread



## Material:

Steel, stainless steel or aluminium.

## Version:

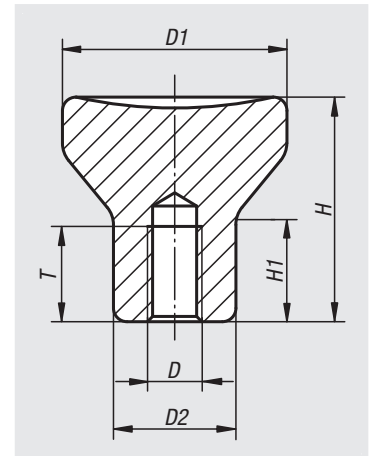
Steel trivalent blue passivated.  
Stainless steel electropolished or blasted.  
Aluminium natural tone anodised.

## Sample order:

nIm 06240-104

## On request:

With external threads.



Order No.	Main material	Surface finish body	D	D1	D2	H	H1	T
06240-0902	steel	blue-passivated	M2	14	8	14	6,7	4
06240-0003	steel	blue-passivated	M3	18	10	18	8,6	7,5
06240-0104	steel	blue-passivated	M4	21	12	21	10	10
06240-0105	steel	blue-passivated	M5	21	12	21	10	12,5
06240-0206	steel	blue-passivated	M6	25	14	25	12	12
06240-0308	steel	blue-passivated	M8	33	18	33	16	16
06240-0410	steel	blue-passivated	M10	40	24	40	18,7	20
06240-902	stainless steel	electropolished	M2	14	8	14	6,7	4
06240-003	stainless steel	electropolished	M3	18	10	18	8,6	7,5
06240-104	stainless steel	electropolished	M4	21	12	21	10	10
06240-105	stainless steel	electropolished	M5	21	12	21	10	12,5
06240-206	stainless steel	electropolished	M6	25	14	25	12	12
06240-308	stainless steel	electropolished	M8	33	18	33	16	16
06240-410	stainless steel	electropolished	M10	40	24	40	18,7	20
06240-1902	aluminium	anodized	M2	14	8	14	6,7	4
06240-1003	aluminium	anodized	M3	18	10	18	8,6	7,5
06240-1104	aluminium	anodized	M4	21	12	21	10	10
06240-1105	aluminium	anodized	M5	21	12	21	10	12,5
06240-1206	aluminium	anodized	M6	25	14	25	12	12
06240-1308	aluminium	anodized	M8	33	18	33	16	16
06240-1410	aluminium	anodized	M10	40	24	40	18,7	20
06240-2902	stainless steel	blasted	M2	14	8	14	6,7	4
06240-2003	stainless steel	blasted	M3	18	10	18	8,6	7,5
06240-2104	stainless steel	blasted	M4	21	12	21	10	10
06240-2105	stainless steel	blasted	M5	21	12	21	10	12,5
06240-2206	stainless steel	blasted	M6	25	14	25	12	12
06240-2308	stainless steel	blasted	M8	33	18	33	16	16
06240-2410	stainless steel	blasted	M10	40	24	40	18,7	20