

Star grips quick-acting



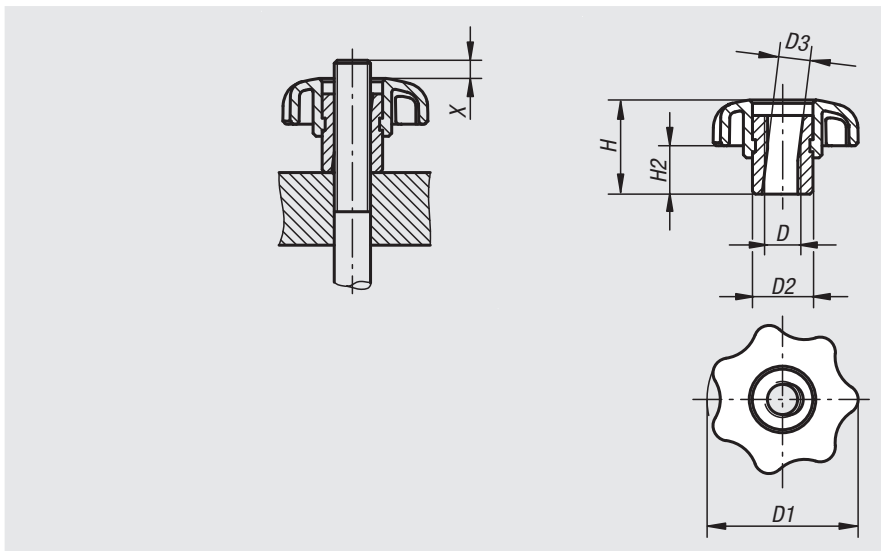
Material:
Black thermoplastic.
Bush steel.

Version:
Bush trivalent blue passivated

Sample order:
nlm 06222-06

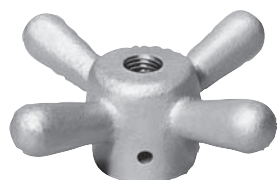
Note:
Quick-acting star grips can be used on all fixtures that do not require a high clamping force. Tilt the grip to slide on, then straighten it to engage the threads.

Drawing reference:
X: The stud should be several mm longer than height "H1"



Order No.	D	D1	D2	D3	H	H2
06222-05	M5	25	10	5,2	16,6	9
06222-06	M6	32	13,5	6,2	20,6	11
06222-08	M8	40	13,5	8,3	24,5	13
06222-10	M10	50	19	10,3	31,2	17
06222-12	M12	63	19	12,7	39,3	21

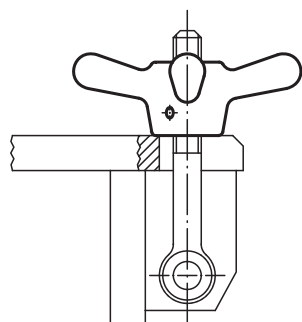
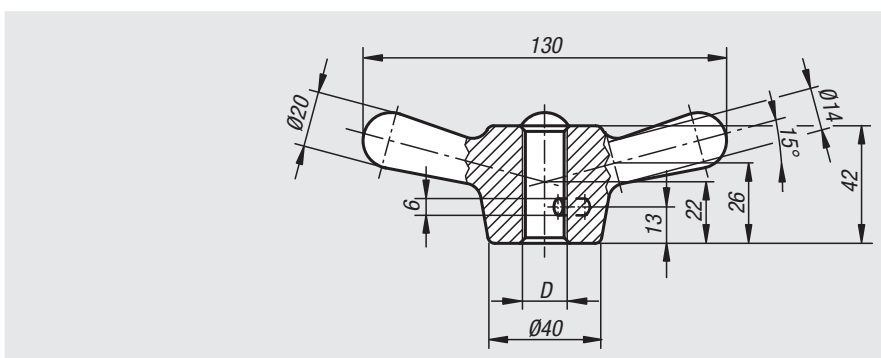
Four-spoked nuts



Material:
GJMW 350 malleable cast iron

Version:
Deburred and sand-blasted

Sample order:
nlm 06230-20



Order No.	D
06230-16	M16
06230-20	M20
06230-24	M24