

Star grips

similar to DIN 6336



Material:

Black thermoplastic.
Bush and screw steel.

Version:

Bush and screw trivalent blue passivated.

Sample order:

nIm 06220-4127X30 (cap colour colza yellow;
include length L)

Note:

Δ Add the desired cap colour code here. No colour
code is required for black caps.

On request:

Other colours or designs, such as company logo.

Drawing reference:

Form D: tapped bush without cap

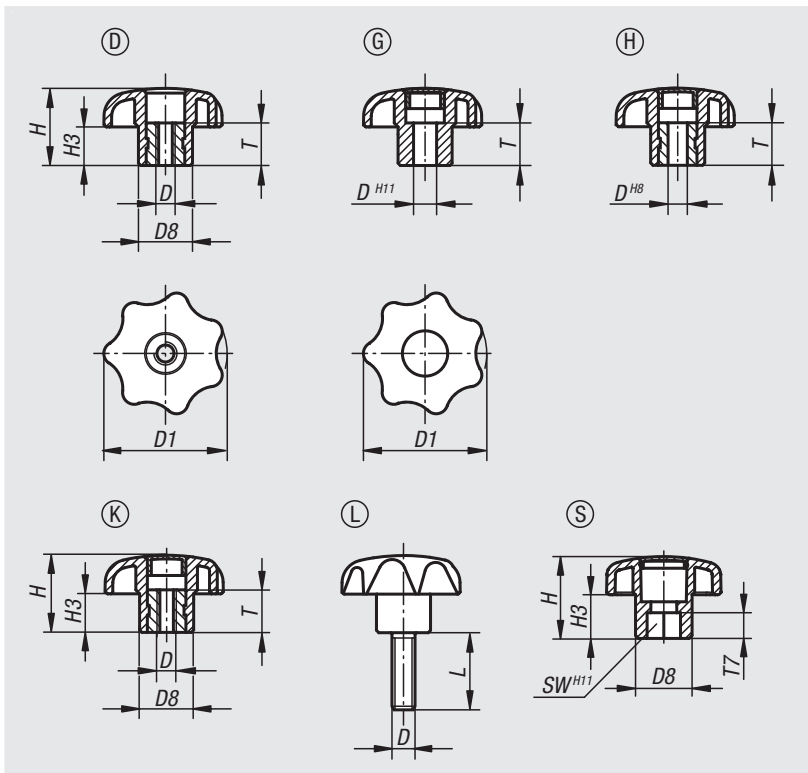
Form G: without bush

Form H: with reamed bush

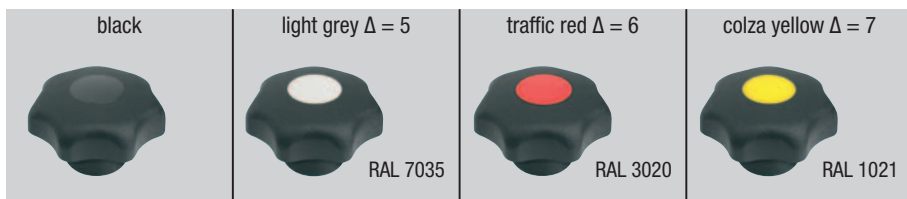
Form K: tapped bush with cap

Form L: external thread

Form S: hexagon



examples of grip cap designs



Order No.	Form	D	D1	D8	H	H3	T
06220-504	D	M4	25	12	16	8	10
06220-505	D	M5	25	12	16	8	10
06220-5061	D	M6	25	12	16	8	10
06220-5051	D	M5	32	14	20	10	10
06220-506	D	M6	32	14	20	10	10
06220-508	D	M8	40	18	25	13	14
06220-5101	D	M10	40	18	25	13	14
06220-5081	D	M8	50	22	32	17	14
06220-510	D	M10	50	22	32	17	14
06220-5121	D	M12	50	22	32	17	18
06220-5102	D	M10	63	26	40	21	14
06220-512	D	M12	63	26	40	21	18
06220-516	D	M16	63	26	40	21	18

Star grips

similar to DIN 6336

Order No. Form G	Order No. Form H	D	D1	D8	H	H3	T
06220-305Δ	06220-105Δ	5	25	12	16	8	10
06220-306Δ	06220-106Δ	6	32	14	20	10	10
06220-308Δ	06220-108Δ	8	40	18	25	13	14
06220-310Δ	06220-110Δ	10	50	22	32	17	14
-	06220-1101Δ	10	63	26	40	21	14
06220-312Δ	06220-112Δ	12	63	26	40	21	18

Order No.	Form	D	D1	D8	H	H3	T
06220-204Δ	K	M4	25	12	16	8	10
06220-205Δ	K	M5	25	12	16	8	10
06220-2061Δ	K	M6	25	12	16	8	10
06220-2051Δ	K	M5	32	14	20	10	10
06220-206Δ	K	M6	32	14	20	10	10
06220-208Δ	K	M8	40	18	25	13	14
06220-2101Δ	K	M10	40	18	25	13	14
06220-2081Δ	K	M8	50	22	32	17	14
06220-210Δ	K	M10	50	22	32	17	14
06220-2121Δ	K	M12	50	22	32	17	18
06220-2102Δ	K	M10	63	26	40	21	14
06220-212Δ	K	M12	63	26	40	21	18
06220-216Δ	K	M16	63	26	40	21	18

Order No.	Form	D	D1	D8	H	H3	L
06220-405ΔX	L	M5	25	12	16	8	10/15/20/25/30/35/40/45/50/60
06220-406ΔX	L	M6	25	12	16	8	10/15/20/25/30/35/40/45/50/60
06220-4061ΔX	L	M6	32	14	20	10	10/15/20/25/30/35/40/45/50/60
06220-408ΔX	L	M8	32	14	20	10	15/20/25/30/35/40/45/50/60
06220-4081ΔX	L	M8	40	18	25	13	15/20/25/30/35/40/45/50/60
06220-410ΔX	L	M10	40	18	25	13	15/20/25/30/35/40/45/50/60
06220-4101ΔX	L	M10	50	22	32	17	15/20/25/30/35/40/45/50/60
06220-412ΔX	L	M12	50	22	32	17	15/20/25/30/35/40/45/50/60
06220-4102ΔX	L	M10	63	26	40	21	20/25/30/35/40/45/50/60
06220-4121ΔX	L	M12	63	26	40	21	20/25/30/35/40/45/50/60
06220-416ΔX	L	M16	63	26	40	21	30/35/40/45/50/60

Order No.	Form	D1	D8	H	H3	SW	T7
06220-808	S	32	14	20	10	8	5
06220-810	S	40	18	25	13	10	10
06220-813	S	50	22	32	17	13	10
06220-816	S	63	26	40	21	16	15

Star grips antistatic

similar to DIN 6336



Material:

Thermoplastic, graphite black.
Bush or screw steel 5.8.

Version:

Screw blue passivated.

Sample order:

nIm 06220-1120824

Application:

Sensitive electrical or electronic equipment, components and devices (ESD sensitive elements) may be damaged or destroyed by electrostatic discharges (ESD) in the immediate vicinity.

Electrostatic discharges can come from people or through handling ESD sensitive components (e.g. during production, assembly, transport, storage etc).

Electrically conductive products which conform to DIN EN 61340-5-1 are essential within electronic environments to prevent an electrostatic discharge. These products can be used for ESD applications or in ESD protection areas (EPA) in accordance with DIN EN 61340-5-1.

Safety:

These ESD products can also be used for devices, components and protection systems in areas with high risk of explosion.

Use of these ESD products prevents the occurrence of electrostatic spark discharges, eliminating the potential ignition of gases and dusts which could lead to explosions in enclosed spaces.

Manufacturers and operators must use and conform to ATEX directives for the protection of persons working in areas with high risk of explosion.

These ESD products are certified by TÜV-Süd in relation to their electrical discharge capability.

Target groups:

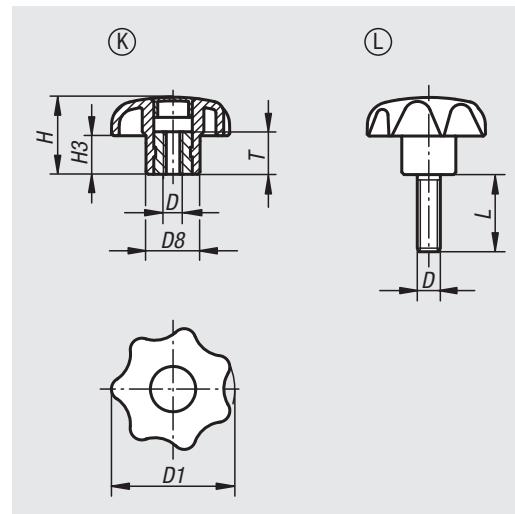
Device manufacturers required to conform to ATEX product directive 2014/34/EU.

Operators required to conform to ATEX worker protection directive 1999/92/EC.

Drawing reference:

Form K: tapped bush, with cap

Form L: external thread



Order No.	Form	D	D1	D8	H	H3	T
06220-1120824	K	M8	40	18	25	13	14

Order No.	Form	D	D1	D8	H	H3	L
06220-11408124X25	L	M8	40	18	25	13	25

Star grips with safety cable

similar to DIN 6336



Material:

Grip thermoplastic.
Bush and screw steel.
Safety cable elastic TPU.

Version:

Bush and screw bright.

Sample order:

nIm 06220-7056X15
(cap colour traffic red; include length L)

Note:

Δ Add the desired cap colour code here. No colour code is required for black caps.

Attach the safety cable to a base to make the star grip unlosable. The star grip cannot be moved far from the object to which it belongs, simplifying screwing and unscrewing of the grip and ensuring against loss.

Assembly:

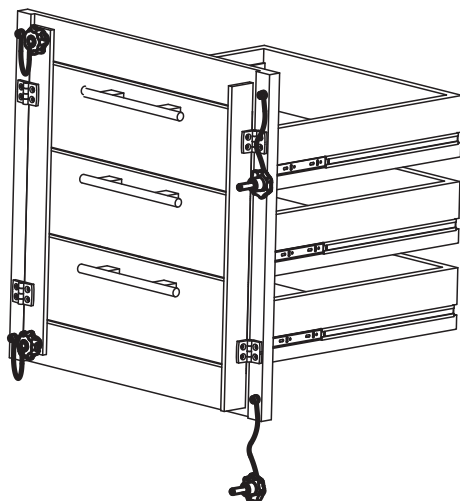
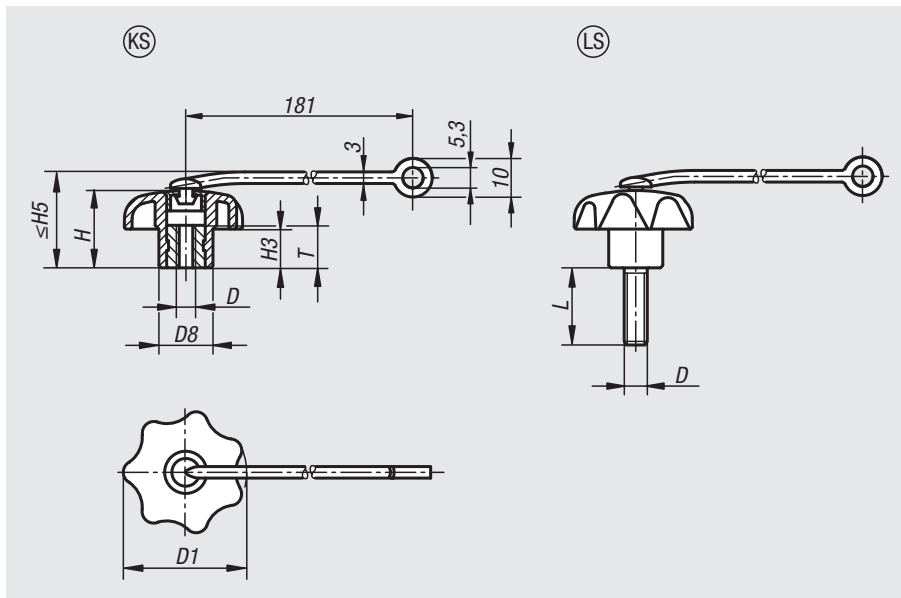
Do not stretch the band during assembly.
Make sure that the anchor is not too far from where the star grip is to be used.

Accessories:

The safety cable is also available as an accessory, see 03198-04190.

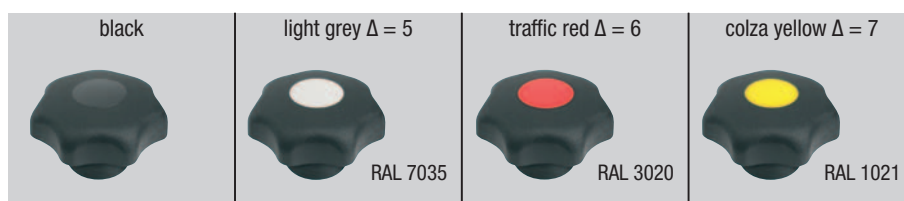
Drawing reference:

Form KS: tapped bush, with cap
Form LS: male thread



Star grips with safety cable

similar to DIN 6336



Order No.	Form	D	D1	D8	H	H3	H5 max.	T
06220-604Δ	KS	M4	25	12	16	8	22	10
06220-605Δ	KS	M5	25	12	16	8	22	10
06220-6061Δ	KS	M6	25	12	16	8	22	10
06220-6051Δ	KS	M5	32	14	20	10	26	10
06220-606Δ	KS	M6	32	14	20	10	26	10
06220-608Δ	KS	M8	40	18	25	13	31	14
06220-6101Δ	KS	M10	40	18	25	13	31	14
06220-6081Δ	KS	M8	50	22	32	17	38	14
06220-610Δ	KS	M10	50	22	32	17	38	14
06220-6121Δ	KS	M12	50	22	32	17	38	14
06220-6102Δ	KS	M10	63	26	40	21	46	14
06220-612Δ	KS	M12	63	26	40	21	46	14
06220-616Δ	KS	M16	63	26	40	21	46	14

Order No.	Form	D	D1	D8	H	H3	H5 max.	L
06220-705ΔX	LS	M5	25	12	16	8	22	10/15/20/25/30/35/40/45/50/60
06220-706ΔX	LS	M6	25	12	16	8	22	10/15/20/25/30/35/40/45/50/60
06220-7061ΔX	LS	M6	32	14	20	10	26	10/15/20/25/30/35/40/45/50/60
06220-708ΔX	LS	M8	32	14	20	10	26	15/20/25/30/35/40/45/50/60
06220-7081ΔX	LS	M8	40	18	25	13	31	15/20/25/30/35/40/45/50/60
06220-710ΔX	LS	M10	40	18	25	13	31	15/20/25/30/35/40/45/50/60
06220-7101ΔX	LS	M10	50	22	32	17	38	15/20/25/30/35/40/45/50/60
06220-712ΔX	LS	M12	50	22	32	17	38	15/20/25/30/35/40/45/50/60
06220-7102ΔX	LS	M10	63	26	40	21	46	20/25/30/35/40/45/50/60
06220-7121ΔX	LS	M12	63	26	40	21	46	20/25/30/35/40/45/50/60
06220-716ΔX	LS	M16	63	26	40	21	46	30/35/40/45/50/60