

Star grips

metal parts stainless steel, similar to DIN 6336



Material:

Black thermoplastic.

Bush and screw stainless steel 1.4305.

Version:

Bush and screw bright.

Sample order:

nIm 06212-4067X30

(cap colour colza yellow; include length L)

Note:

Δ Add the desired cap colour code here. No colour code is required for black caps.

On request:

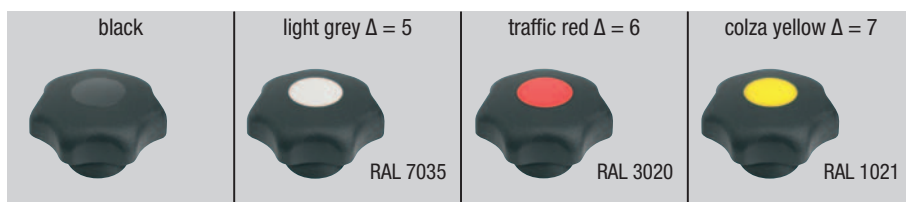
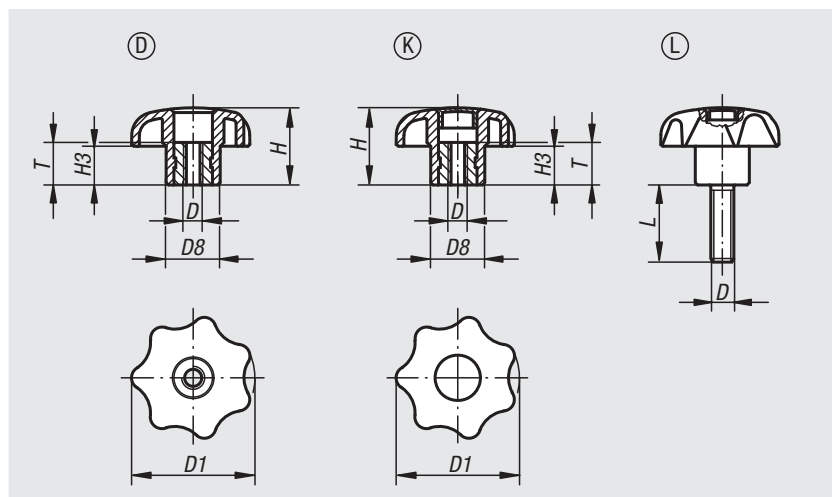
Other colours or designs, such as company logo.

Drawing reference:

Form D: tapped bush without cap

Form K: tapped bush with cap

Form L: external thread



Order No.	Form	D	D1	D8	H	H3	T
06212-505	D	M5	25	12	16	8	10
06212-506	D	M6	32	14	20	10	10
06212-508	D	M8	40	18	25	13	14
06212-510	D	M10	50	22	32	17	14
06212-512	D	M12	63	26	40	21	18

Order No.	Form	D	D1	D8	H	H3	T
06212-205Δ	K	M5	25	12	16	8	10
06212-206Δ	K	M6	32	14	20	10	10
06212-208Δ	K	M8	40	18	25	13	14
06212-210Δ	K	M10	50	22	32	17	14
06212-212Δ	K	M12	63	26	40	21	18

Order No.	Form	D	D1	D8	H	H3	L
06212-405ΔX	L	M5	25	12	16	8	15/20
06212-406ΔX	L	M6	32	14	20	10	20/30
06212-408ΔX	L	M8	40	18	25	13	15/20/25/30/40/60
06212-410ΔX	L	M10	50	22	32	17	25/30/40/50/60

Star grips with safety cable

metal parts stainless steel, similar to DIN 6336



Material:

Grip thermoplastic.
Bush and screw stainless steel 1.4305.
Safety cable elastic TPU.

Version:

Bush and screw bright.

Sample order:

nIm 06212-7056X15 (cap colour: traffic red; include length L)

Note:

Δ Add the desired cap colour code here. No colour code is required for black caps.

Attach the safety cable to a base to make the star grip unlosable.

The star grip cannot be moved far from the object to which it belongs, simplifying screwing and unscrewing of the grip and ensuring against loss.

Assembly:

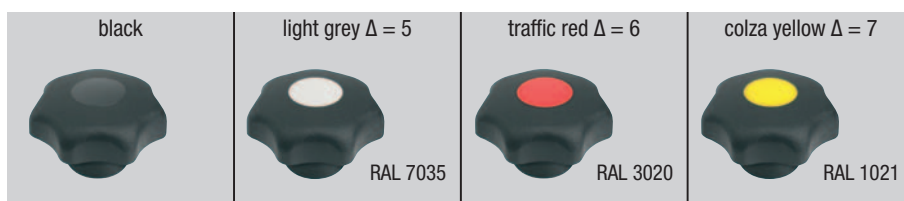
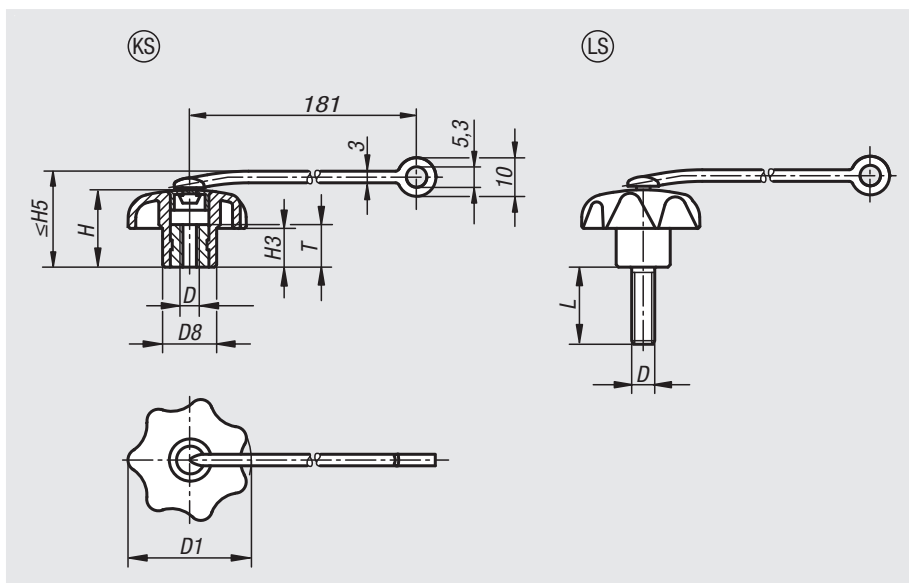
Do not stretch the band during assembly.
Make sure that the anchor is not too far from where the star grip is to be used.

Accessories:

The safety cable is also available as an accessory, see 03198-04190.

Drawing reference:

Form KS: tapped bush, with cap
Form LS: male thread



Order No.	Form	D	D1	D8	H	H3	H5 max.	T
06212-605Δ	KS	M5	25	12	16	8	22	10
06212-606Δ	KS	M6	32	14	20	10	26	10
06212-608Δ	KS	M8	40	18	25	13	31	14
06212-610Δ	KS	M10	50	22	32	17	38	14
06212-612Δ	KS	M12	63	26	40	21	46	18

Order No.	Form	D	D1	D8	H	H3	H5 max.	L
06212-705ΔX	LS	M5	25	12	16	8	22	15/20
06212-706ΔX	LS	M6	32	14	20	10	26	20/30
06212-708ΔX	LS	M8	40	18	25	13	31	15/20/25/30/40/60
06212-710ΔX	LS	M10	50	22	32	17	38	25/30/40/50/60