

Star grips, plastic

with clamping force intensifier



Star grips with integrated clamping force intensifier can achieve double the clamping force compared to standard star grips.

Furthermore, this product can also be used by persons with limited hand strength (e.g. in rehabilitation) to achieve comparable clamping forces with less effort. Less effort is also needed to loosen the star grip.

The increase in clamping force is achieved by the integral needle roller thrust bearing, which generates very low surface friction on a rigid contact surface during clamping. The hardened thrust washers are designed for high clamping forces and the bearing with its high load rating guarantees a long service life.

The clamped component is permanently protected by the large, stationary contact surface. A washer is no longer required.

Due to the modular construction many special designs are available.

Material:

Star grip polyamide thermoplastic, black.
Steel parts 5.8 steel or stainless steel 1.4305.

Version:

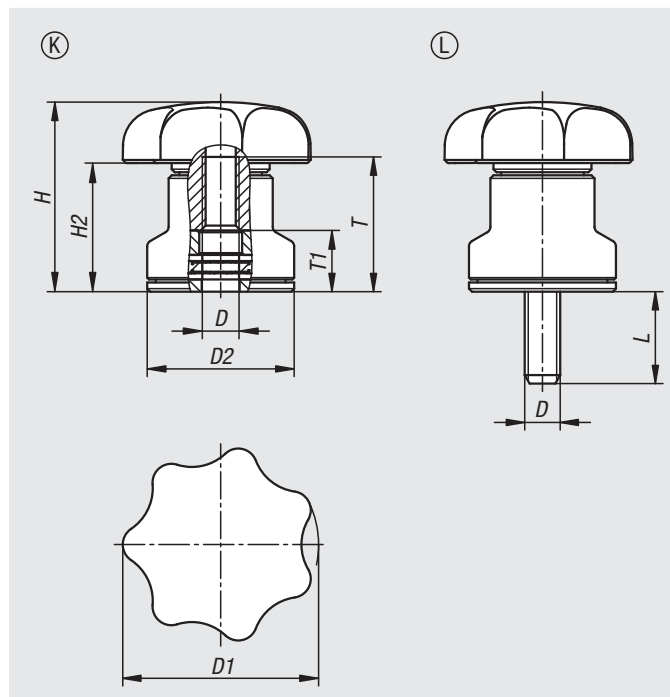
Metal parts trivalent blue passivated steel or bright stainless steel.
Axial needle bearing with hardened and ground thrust washer.

Sample order:

nIm 06210-10-406X20 (include length L.)

Application:

Machine, equipment and plant construction, rehabilitation sector.



Advantages:

Significant increase of the clamping force with the same tightening torque.
High quality axial needle bearing with high load rating and long service life.
The component surface is protected by the stationary lower ring

On request:

Other thread lengths.

Drawing reference:

Form K: tapped bush
Form L: external thread

Plastic star grip with clamping force intensifier, Form K

Order No. steel	Order No. stainless steel	Form	D	D1	D2	H	H2	T	T1
06210-10-206	06210-10-306	K	M6	32	24	31	21	22	10
06210-10-208	06210-10-308	K	M8	40	25	35	23	22	10
06210-10-210	06210-10-310	K	M10	50	30	42	27	27	10
06210-10-212	06210-10-312	K	M12	63	35	47	28	27	10

Plastic star grip with clamping force intensifier, Form L

Order No. steel	Order No. stainless steel	Form	D	D1	D2	H	H2	L
06210-10-406X	06210-10-506X	L	M6	32	24	31	21	10/20
06210-10-408X	06210-10-508X	L	M8	40	25	35	23	15/30
06210-10-410X	06210-10-510X	L	M10	50	30	42	27	20/30
06210-10-412X	06210-10-512X	L	M12	63	35	47	28	20/30