

Star grips

similar to DIN 6336, metal parts stainless steel


Material:

Thermoset PF 31, black.

Bushing or threaded pin stainless steel 1.4301.

Version:

High-gloss polished.

Sample order:

nIm 06209-43206X20 (include length L)

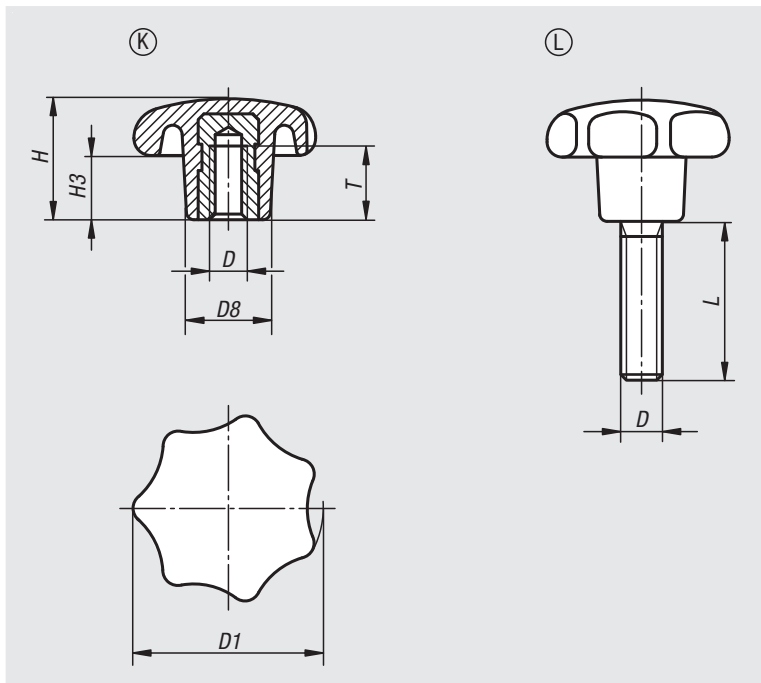
On request:

Other colours.

Drawing reference:

Form K: tapped bush

Form L: external thread



Order No.	Form	D	D1	D8	H	H3	T
06209-22505	K	M5	25	12	16	8	7,5
06209-23206	K	M6	32	14	20	10	12
06209-24008	K	M8	40	18	25	13	14
06209-25010	K	M10	50	22	32	17	18
06209-26312	K	M12	63	26	40	21	22
06209-28016	K	M16	80	35	50	25	24

Order No.	Form	D	D1	D8	H	H3	L
06209-42505X	L	M5	25	12	16	8	15/20/25
06209-43206X	L	M6	32	14	20	10	15/20/25/30/40
06209-44008X	L	M8	40	18	25	13	20/25/30/40/50
06209-45010X	L	M10	50	22	32	17	25/30/40/50
06209-46312X	L	M12	63	26	40	21	30/40/50/60
06209-48016X	L	M16	80	35	50	25	30/40/50/60