

# Star grips, plastic

with protruding steel bush



The thermoset star grip is distinguished by its closed grip contour. The contact surface of the protruding steel bush is vertical to the thread axis and ensures a firm screw connection.

### Material:

Thermoset PF 31.

Steel grade 5.8 or stainless steel 1.4305.

### Version:

Thermoset black, high-gloss polished.

Metal parts trivalent blue passivated steel or bright stainless steel.

### Sample order:

nIm 06209-01-43206X10 (include length L)

### Advantages:

Wear resistant contact surface

Closed grip contour

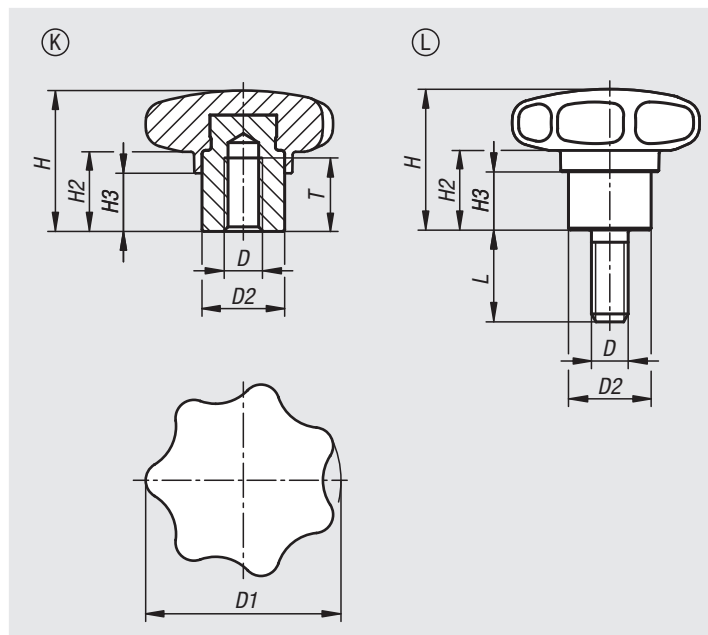
### On request:

Form H: bush with blind hole

### Drawing reference:

Form K: tapped bush

Form L: external thread



## Star grips plastic with protruding steel bush, internal thread, Form K

Order No. steel	Order No. stainless steel	Form	D	D1	D2	H	H2	H3	T
06209-01-23206	06209-01-33206	K	M6	32	13,5	23	13	9,5	12
06209-01-24006	06209-01-34006	K	M6	40	13,5	25	13	10	12
06209-01-24008	06209-01-34008	K	M8	40	13,5	25	13	10	12
06209-01-25008	06209-01-35008	K	M8	50	19	32	17	12	17
06209-01-25010	06209-01-35010	K	M10	50	19	32	17	12	17
06209-01-26310	06209-01-36310	K	M10	63	19	40	20	15	17
06209-01-26312	06209-01-36312	K	M12	63	19	40	20	15	17

## Star grips plastic with protruding steel bush, external thread, Form L

Order No. steel	Order No. stainless steel	Form	D	D1	D2	H	H2	H3	L
06209-01-43206X	06209-01-53206X	L	M6	32	13,5	23	13	9,5	10/15/20/25/30
06209-01-44008X	06209-01-54008X	L	M8	40	13,5	25	13	10	15/20/25/30/40/50
06209-01-45010X	06209-01-55010X	L	M10	50	19	32	17	12	20/25/30/40/50/60
06209-01-46312X	06209-01-56312X	L	M12	63	19	40	20	15	20/25/30/40/50/60