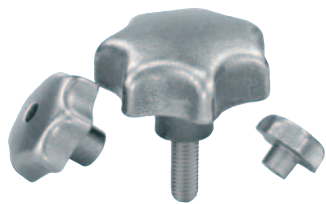


Star grips

grey cast iron, DIN 6336



Material:

Grey cast iron GJL 200.
Grub screw stainless steel 1.4305.
Pin stainless steel 1.4310.

Version:

Vibratory ground, bright.
Grub screw and pin bright.

Sample order:

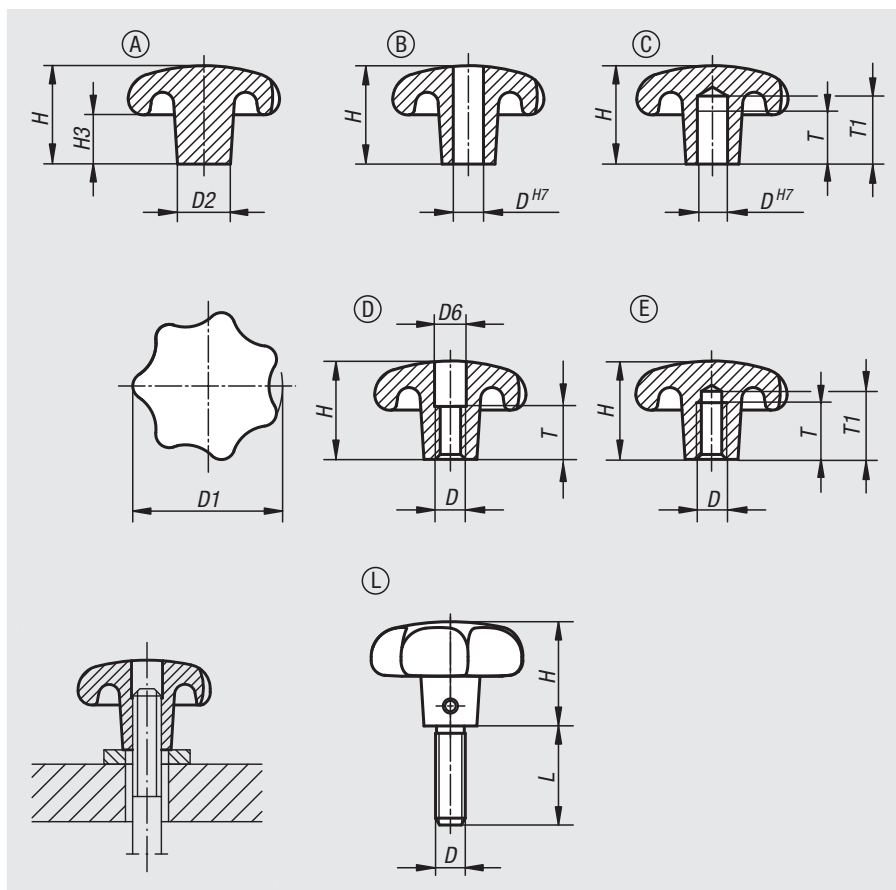
nIm 06200-606X20 (include length L.)

On request:

Grips with a plastic coating.

Drawing reference:

- Form A: blank
- Form B: drilled through
- Form C: blind hole
- Form D: tapped and counterbored
- Form E: tapped blind hole
- Form L: external thread



Order No. Form A	Order No. Form B	Surface finish body	D	D1	D2	H	H3
06200-106	06200-206	tumbled	-/6	32	12	21/20	10
06200-108	06200-208	tumbled	-/8	40	14	26/25	13
06200-110	06200-210	tumbled	-/10	50	18	34/32	17
06200-112	06200-212	tumbled	-/12	63	20	42/40	21
06200-116	06200-216	tumbled	-/16	80	25	52/50	25

Order No. Form C	Order No. Form D	Order No. Form E	Surface finish body	D	D1	D2	H	H3	T	T1
06200-306	06200-406	06200-506	tumbled	6 / M6 / M6	32	12	20	10	12/10/12	15/-/15
06200-308	06200-408	06200-508	tumbled	8 / M8 / M8	40	14	25	13	15/13/15	18/-/18
06200-310	06200-410	06200-510	tumbled	10 / M10 / M10	50	18	32	17	18/16/18	21/-/21
06200-312	06200-412	06200-512	tumbled	12 / M12 / M12	63	20	40	21	22/20/22	25/-/25
06200-316	06200-416	06200-516	tumbled	16 / M16 / M16	80	25	50	25	28/20/28	32/-/32

Order No.	Form	Surface finish body	D	D1	D2	H	L
06200-606X	L	tumbled	M6	32	12	20	15/20/25/30
06200-608X	L	tumbled	M8	40	14	25	20/25/30/40
06200-610X	L	tumbled	M10	50	18	32	25/30/40/50
06200-612X	L	tumbled	M12	63	20	40	30/40/50/60