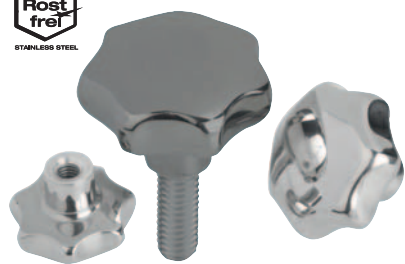


Star grips

stainless steel, similar to DIN 6336



Material:

Stainless steel 1.4308.

Grub screw stainless steel 1.4305.

Pin stainless steel 1.4310.

Version:

Ground and polished or blasted.

Grub screw and pin bright.

Sample order:

nIm 06194-632063X20 (include length L.)

Drawing reference:

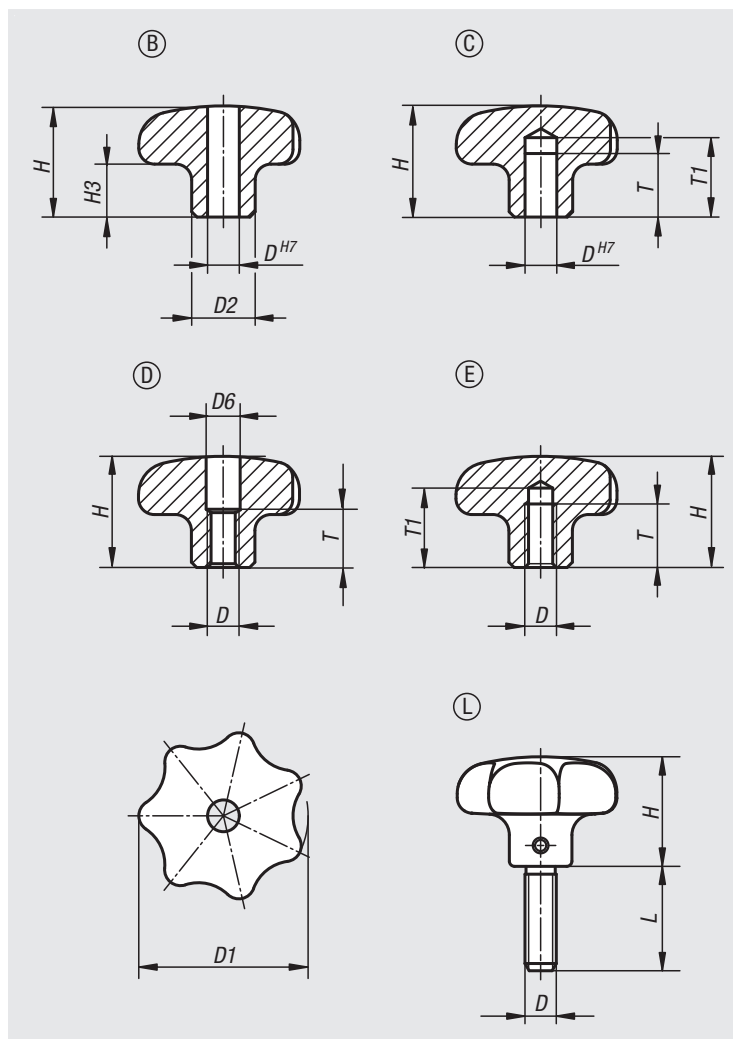
Form B: drilled through

Form C: blind hole

Form D: tapped and counterbored

Form E: tapped blind hole

Form L: external thread



Star grips

stainless steel, similar to DIN 6336

Order No. Form B	Order No. Form C	Surface finish body	D	D1	D2	H	H3	T	T1
06194-232062	06194-332062	polished	6	32	12	21	10	-/12	-/15
06194-240082	06194-340082	polished	8	40	14	26	13	-/15	-/18
06194-250102	06194-350102	polished	10	50	18	34	17	-/18	-/21
06194-263122	06194-363122	polished	12	63	20	42	21	-/22	-/25
06194-232063	06194-332063	blasted	6	32	12	21	10	-/12	-/15
06194-240083	06194-340083	blasted	8	40	14	26	13	-/15	-/18
06194-250103	06194-350103	blasted	10	50	18	34	17	-/18	-/21
06194-263123	06194-363123	blasted	12	63	20	42	21	-/22	-/25

Order No. Form D	Order No. Form E	Surface finish body	D	D1	D2	D6	H	H3	T	T1
06194-432062	06194-532062	polished	M6	32	12	6,4/-	21	10	11/12	-/15
06194-440082	06194-540082	polished	M8	40	14	8,4/-	26	13	14/15	-/18
06194-450102	06194-550102	polished	M10	50	18	10,5/-	34	17	18	-/21
06194-463122	06194-563122	polished	M12	63	20	13/-	42	21	22	-/25
06194-432063	06194-532063	blasted	M6	32	12	6,4/-	21	10	11/12	-/15
06194-440083	06194-540083	blasted	M8	40	14	8,4/-	26	13	14/15	-/18
06194-450103	06194-550103	blasted	M10	50	18	10,5/-	34	17	18	-/21
06194-463123	06194-563123	blasted	M12	63	20	13/-	42	21	22	-/25

Order No.	Form	Surface finish body	D	D1	D2	H	H3	L
06194-632063X	L	blasted	M6	32	12	21	10	15/20/25/30
06194-640083X	L	blasted	M8	40	14	26	13	20/25/30/40
06194-650103X	L	blasted	M10	50	18	34	17	25/30/40/50
06194-663123X	L	blasted	M12	63	20	42	21	30/40/50/60