

Star grips

aluminium, similar to DIN 6336



Material:

Aluminium.

Grub screw stainless steel 1.4305.

Pin stainless steel 1.4310.

Version:

Vibratory ground or ground and polished.

Grub screw and pin bright.

Sample order:

nIm 06192-64008X20 (include length L.)

On request:

Blank star grips (not tumbled).

Drawing reference:

Form A: blank

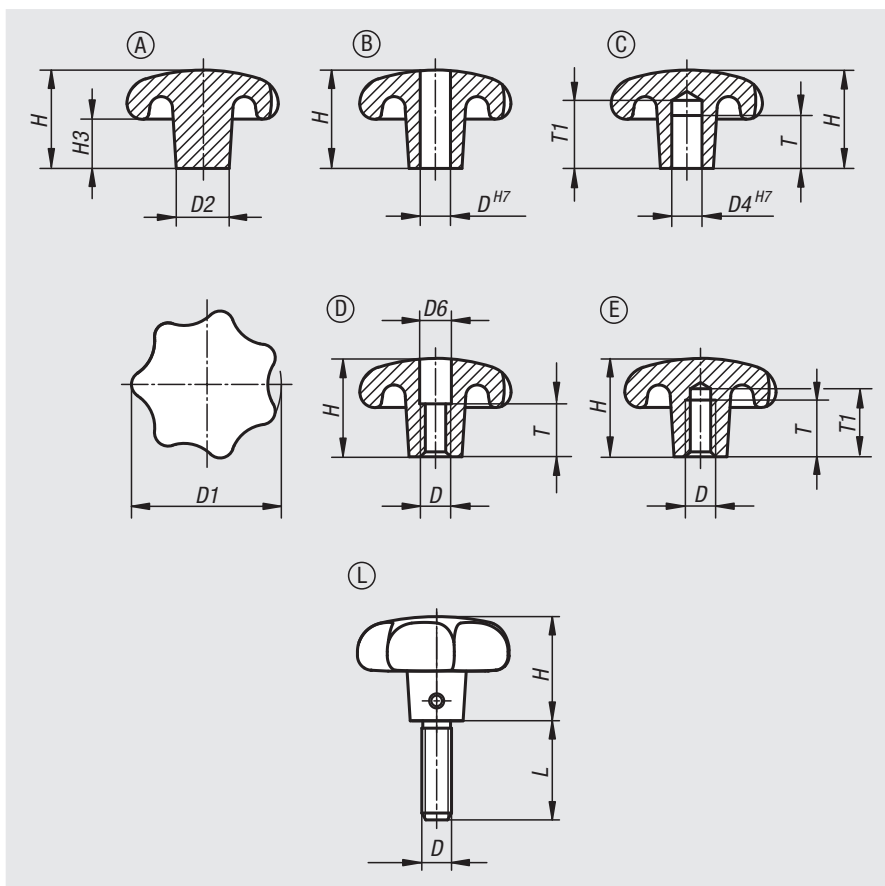
Form B: drilled through

Form C: blind hole

Form D: tapped and counterbored

Form E: tapped blind hole

Form L: external thread



Order No.	Form	Surface finish body	D1	D2	H	H3
06192-14008	A	tumbled	40	14	26	13
06192-15010	A	tumbled	50	18	34	17
06192-16312	A	tumbled	63	20	42	21
06192-18016	A	tumbled	80	25	52	25

Order No. tumbled	Order No. polished	Form	D	D1	D2	H
06192-24008	06192-240082	B	8	40	14	25
06192-25010	06192-250102	B	10	50	18	32
06192-26312	06192-263122	B	12	63	20	40
06192-28016	06192-280162	B	16	80	25	50

Star grips

aluminium, similar to DIN 6336

Order No. tumbled	Order No. polished	Form	D	D1	D2	H	T	T1
06192-34008	06192-340082	C	8	40	14	25	15	18
06192-35010	06192-350102	C	10	50	18	32	18	21
06192-36312	06192-363122	C	12	63	20	40	22	25
06192-38016	06192-380162	C	16	80	25	50	28	32

Order No. tumbled	Order No. polished	Form	D	D1	D2	D6	H	T
06192-44008	06192-440082	D	M8	40	14	8,4	25	12
06192-45010	06192-450102	D	M10	50	18	10,5	32	16
06192-46312	06192-463122	D	M12	63	20	13	40	20
06192-48016	06192-480162	D	M16	80	25	17	50	30

Order No. tumbled	Order No. polished	Form	D	D1	D2	H	T	T1
06192-54008	06192-540082	E	M8	40	14	25	15	18
06192-55010	06192-550102	E	M10	50	18	32	18	21
06192-56312	06192-563122	E	M12	63	20	40	22	25
06192-58016	06192-580162	E	M16	80	25	50	28	32

Order No.	Form	Surface finish body	D	D1	D2	H	L
06192-64008X	L	tumbled	M8	40	14	25	20/25/30/40
06192-65010X	L	tumbled	M10	50	18	32	25/30/40/50
06192-66312X	L	tumbled	M12	63	20	40	30/40/50/60