

# Palm grips

similar to DIN 6335 metal parts stainless-steel


**Material:**

Thermoset PF 31, black.

Metal parts stainless steel 1.4301.

**Version:**

High-gloss polished, black.

**Sample order:**

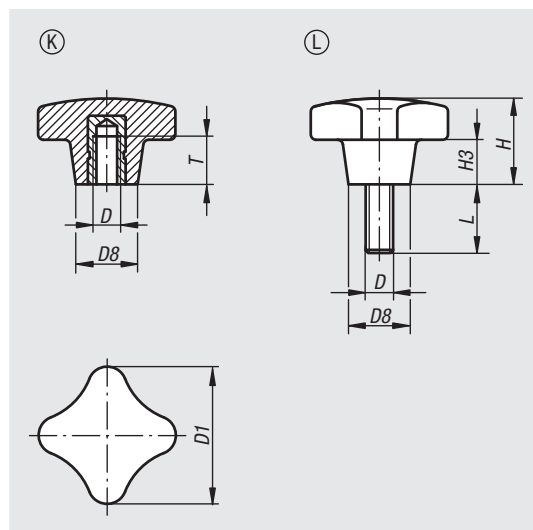
nIm 06181-22505 (Form K)

06181-52505x15 (Form L)

**Drawing reference:**

Form K: tapped bush

Form L: external thread



Order No.	Form	Component material	D	D1	D8	H	H3	T
06181-22505	K	stainless steel	M5	25	12	16	8	9,5
06181-23206	K	stainless steel	M6	32	14	20	10	12
06181-24008	K	stainless steel	M8	40	18	25	13	14
06181-25010	K	stainless steel	M10	50	22	32	20	18
06181-26312	K	stainless steel	M12	63	26	40	25	22

Order No.	Form	Component material	D	D1	D8	H	H3	L
06181-52505X15	L	stainless steel	M5	25	12	16	8	15
06181-52505X20	L	stainless steel	M5	25	12	16	8	20
06181-53206X15	L	stainless steel	M6	32	14	20	10	15
06181-53206X20	L	stainless steel	M6	32	14	20	10	20
06181-53206X25	L	stainless steel	M6	32	14	20	10	25
06181-53206X30	L	stainless steel	M6	32	14	20	10	30
06181-53206X40	L	stainless steel	M6	32	14	20	10	40
06181-53206X50	L	stainless steel	M6	32	14	20	10	50
06181-54008X20	L	stainless steel	M8	40	18	25	13	20
06181-54008X25	L	stainless steel	M8	40	18	25	13	25
06181-54008X30	L	stainless steel	M8	40	18	25	13	30
06181-54008X40	L	stainless steel	M8	40	18	25	13	40
06181-54008X50	L	stainless steel	M8	40	18	25	13	50