

Palm grips

similar to DIN 6335



Material:

Black thermoset PF 31.
Bush and screw electro zinc-plated steel.

Version:

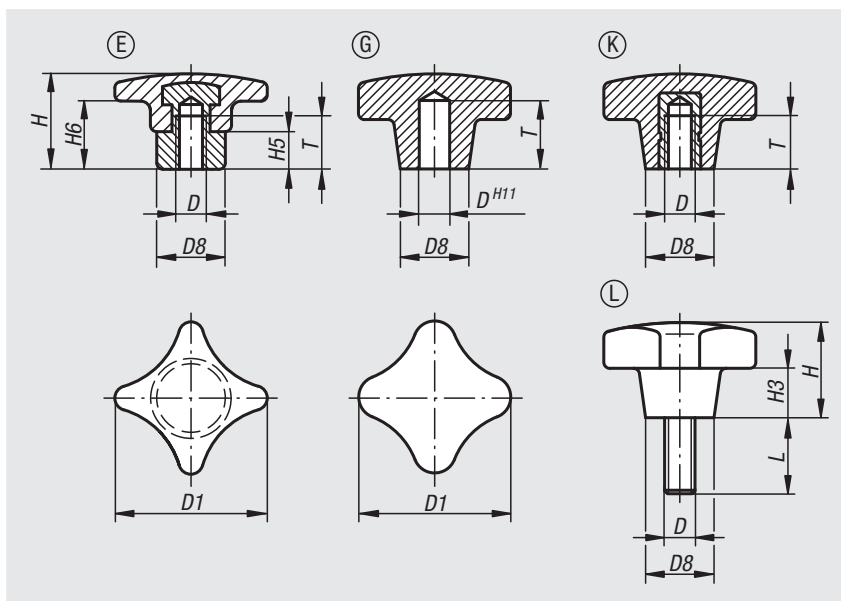
High-gloss polished.

Sample order:

nIm 06180-505X30
(include length L)

Drawing reference:

Form E: projecting steel bush
Form G: blind hole
Form K: tapped bush
Form L: external thread



Order No.	Form	D	D1	D8	H	H5	H6	T
06180-306	E	M6	32	12	23	9	12	12
06180-308	E	M8	40	14	26	10	13	15
06180-310	E	M10	50	18	32	12	18	18
06180-312	E	M12	63	20	40	14	23	22
06180-316	E	M16	80	25	50	17	28	28

Order No.	Form	D	D1	D8	H	H3	T
06180-405	G	5	25	12	16	8	12
06180-406	G	6	32	14	20	10	15
06180-408	G	8	40	18	25	13	18
06180-410	G	10	50	22	32	20	21
06180-412	G	12	63	26	40	25	25

Order No.	Form	D	D1	D8	H	H3	T
06180-205	K	M5	25	12	16	8	9,5
06180-206	K	M6	32	14	20	10	12
06180-208	K	M8	40	18	25	13	14
06180-210	K	M10	50	22	32	20	18
06180-212	K	M12	63	26	40	25	22
06180-216	K	M16	80	35	50	30	30

Order No.	Form	D	D1	D8	H	H3	L
06180-505X	L	M5	25	12	16	8	15/20/25/30/40/50
06180-506X	L	M6	32	14	20	10	15/20/25/30/40/50
06180-508X	L	M8	40	18	25	13	20/25/30/35/40/45/50
06180-510X	L	M10	50	22	32	20	20/25/30/35/40/45/50
06180-512X	L	M12	63	26	40	25	20/30/40/50/60