

## Palm grips

plastic coated grey cast iron, DIN 6335


**Material:**

Grey cast iron GJL 200.

**Version:**

Plastic coated.

**Sample order:**

nIm 06161-212

**Note:**

Available colours:

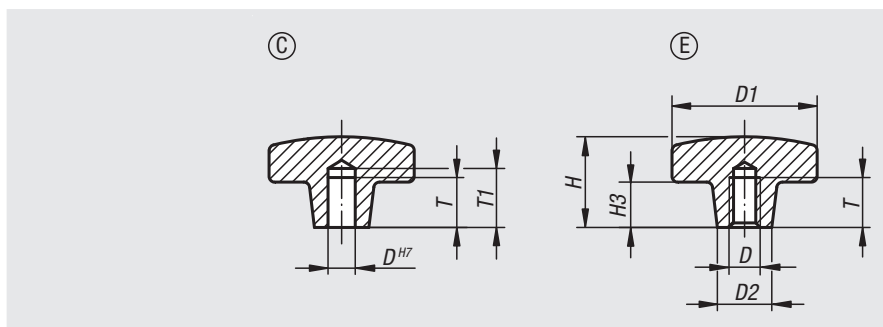
Pure orange RAL 2004.

Jet black RAL 9005.

**Drawing reference:**

Form C: blind hole

Form E: tapped blind hole



Order No. orange	Order No. black	Form	D	D1	D2	H	H3	T	T1
06161-108	06161-208	C	8	40	14	26	14	15	18
06161-110	06161-210	C	10	50	18	34	20	18	21
06161-112	06161-212	C	12	63	20	42	25	22	25
06161-116	06161-216	C	16	80	25	52	30	28	32
06161-308	06161-408	E	M8	40	14	26	14	15	-
06161-310	06161-410	E	M10	50	18	34	20	18	-
06161-312	06161-412	E	M12	63	20	42	25	22	-
06161-316	06161-416	E	M16	80	25	52	30	28	-

## Palm grips

with threaded spindle


**Material:**

Palm grip grey cast iron.

Grub screw steel.

**Version:**

Palm grip painted.

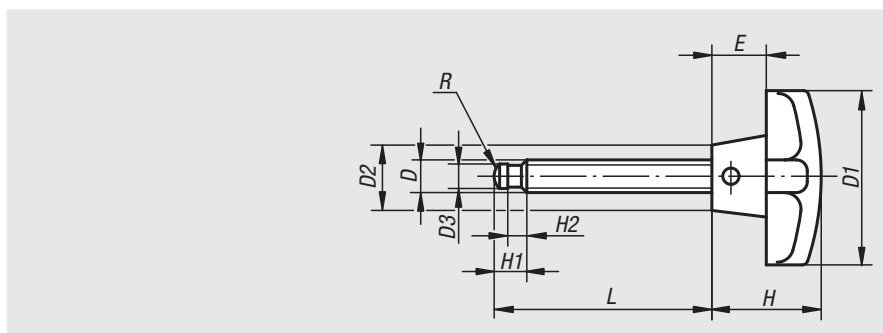
Grub screw black oxidised.

**Sample order:**

nIm 06170-100064

**Note:**

The grub screw is screwed and pinned into the palm grip.



Order No.	D	D1	D2	D3	E	H	H1	H2	L	R
06170-060020	M6	32	12	4,5	10	20	6	2,5	20	3
06170-060040	M6	32	12	4,5	10	20	6	2,5	40	3
06170-080027	M8	40	14	6	14	25	7,5	3	27	5
06170-080047	M8	40	14	6	14	25	7,5	3	47	5
06170-100044	M10	50	18	8	20	32	9	4,5	44	6
06170-100064	M10	50	18	8	20	32	9	4,5	64	6
06170-120040	M12	63	20	8	25	40	10	4,5	40	6
06170-120060	M12	63	20	8	25	40	10	4,5	60	6
06170-120080	M12	63	20	8	25	40	10	4,5	80	6
06170-160052	M16	80	25	12	30	50	12	5	52	9
06170-160072	M16	80	25	12	30	50	12	5	72	9
06170-160097	M16	80	25	12	30	50	12	5	97	9