

Palm grips

stainless steel, similar to DIN 6335



Material:

Stainless steel 1.4308.
Grub screw stainless steel 1.4305.
Pin stainless steel 1.4310.

Version:

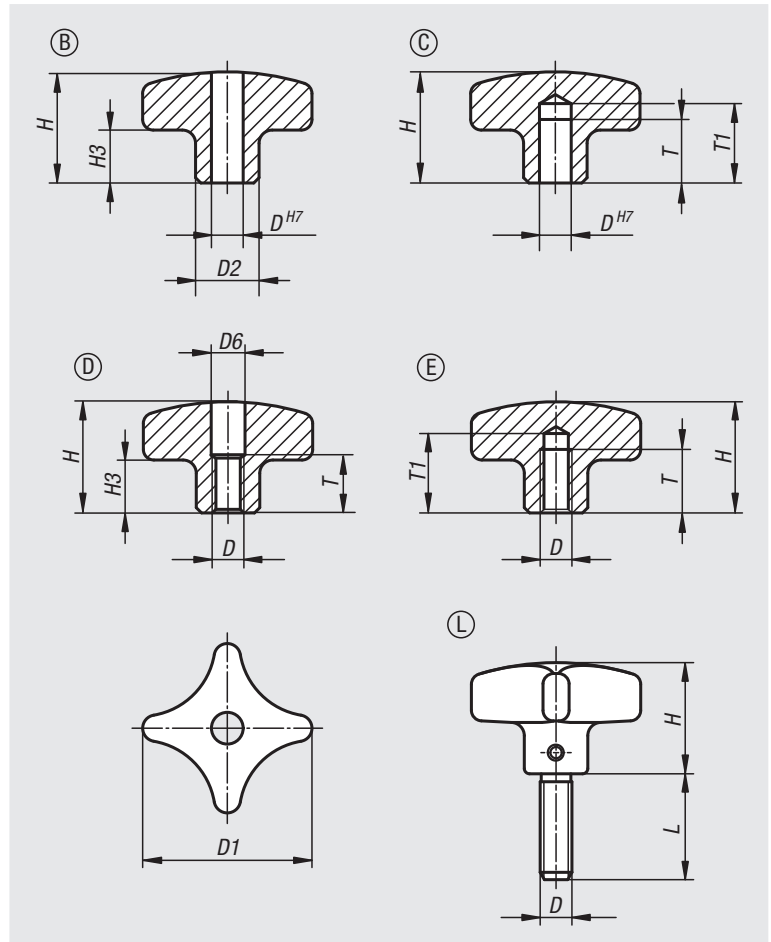
Ground and polished or blasted.
Grub screw and pin bright.

Sample order:

nIm 06158-6032063X20 (include length L.)

Drawing reference:

Form B: drilled through
Form C: blind hole
Form D: tapped and counterbored
Form E: tapped blind hole
Form L: external thread



Palm grips

stainless steel, similar to DIN 6335

Order No. Form B	Order No. Form C	Main colour	D	D1	D2	H	H3	T	T1
06158-2032062	06158-3032062	polished	6	32	12	21	10	-/12	-/15
06158-2040082	06158-3040082	polished	8	40	14	26	14	-/15	-/18
06158-2050102	06158-3050102	polished	10	50	18	34	20	-/18	-/21
06158-2063122	06158-3063122	polished	12	63	20	42	25	-/22	-/25
06158-2032063	06158-3032063	blasted	6	32	12	21	10	-/12	-/15
06158-2040083	06158-3040083	blasted	8	40	14	26	14	-/15	-/18
06158-2050103	06158-3050103	blasted	10	50	18	34	20	-/18	-/21
06158-2063123	06158-3063123	blasted	12	63	20	42	25	-/22	-/25

Order No. Form D	Order No. Form E	Main colour	D	D1	D2	D6	H	H3	T	T1
06158-4032062	06158-5032062	polished	M6	32	12	6,4/-	21	10	11/12	-/15
06158-4040082	06158-5040082	polished	M8	40	14	8,4/-	26	14	14/15	-/18
06158-4050102	06158-5050102	polished	M10	50	18	10,5/-	34	20	18	-/21
06158-4063122	06158-5063122	polished	M12	63	20	13/-	42	25	22	-/25
06158-4032063	06158-5032063	blasted	M6	32	12	6,4/-	21	10	11/12	-/15
06158-4040083	06158-5040083	blasted	M8	40	14	8,4/-	26	14	14/15	-/18
06158-4050103	06158-5050103	blasted	M10	50	18	10,5/-	34	20	18	-/21
06158-4063123	06158-5063123	blasted	M12	63	20	13/-	42	25	22	-/25

Order No.	Form	Main colour	D	D1	D2	H	H3	L
06158-6032063X	L	blasted	M6	32	12	21	10	15/20/25/30/40/50
06158-6040083X	L	blasted	M8	40	14	26	14	20/25/30/40/50
06158-6050103X	L	blasted	M10	50	18	34	20	20/25/30/40/50
06158-6063123X	L	blasted	M12	63	20	42	25	20/30/40/50