

# Palm grips

aluminium, similar to DIN 6335



### Material:

Aluminium.

Grub screw stainless steel 1.4305.

Pin stainless steel 1.4310.

### Version:

Vibratory ground or ground and polished.

Grub screw and pin bright.

### Sample order:

nIm 06156-604008X20 (include length L.)

### On request:

Blank palm grips (not tumbled).

### Drawing reference:

Form A: blank

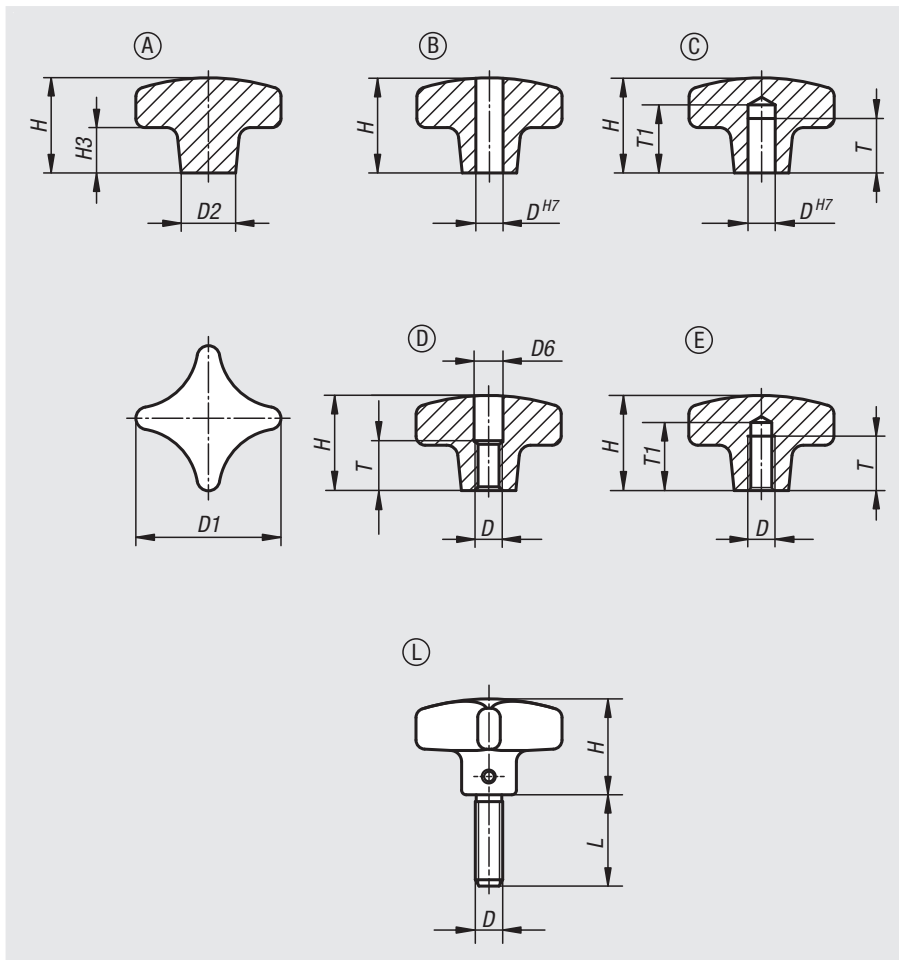
Form B: drilled through

Form C: blind hole

Form D: tapped and counterbored

Form E: tapped blind hole

Form L: external thread



| Order No.    | Surface finish body | Form | D1 | D2 | H  | H3 |
|--------------|---------------------|------|----|----|----|----|
| 06156-104008 | tumbled             | A    | 40 | 14 | 26 | 14 |
| 06156-105010 | tumbled             | A    | 50 | 18 | 34 | 20 |
| 06156-106312 | tumbled             | A    | 63 | 25 | 42 | 25 |
| 06156-108016 | tumbled             | A    | 80 | 25 | 52 | 30 |

# Palm grips

aluminium, similar to DIN 6335

| Order No. tumbled | Order No. polished | Form | D  | D1 | D2 | H  |
|-------------------|--------------------|------|----|----|----|----|
| 06156-204008      | 06156-2040082      | B    | 8  | 40 | 14 | 25 |
| 06156-205010      | 06156-2050102      | B    | 10 | 50 | 18 | 32 |
| 06156-206312      | 06156-2063122      | B    | 12 | 63 | 25 | 40 |
| 06156-208016      | 06156-2080162      | B    | 16 | 80 | 25 | 50 |

| Order No. tumbled | Order No. polished | Form | D  | D1 | D2 | H  | T  | T1 |
|-------------------|--------------------|------|----|----|----|----|----|----|
| 06156-304008      | 06156-3040082      | C    | 8  | 40 | 14 | 25 | 15 | 18 |
| 06156-305010      | 06156-3050102      | C    | 10 | 50 | 18 | 32 | 18 | 21 |
| 06156-306312      | 06156-3063122      | C    | 12 | 63 | 25 | 40 | 22 | 25 |
| 06156-308016      | 06156-3080162      | C    | 16 | 80 | 25 | 50 | 28 | 32 |

| Order No. tumbled | Order No. polished | Form | D   | D1 | D2 | D6   | H  | T  |
|-------------------|--------------------|------|-----|----|----|------|----|----|
| 06156-404008      | 06156-4040082      | D    | M8  | 40 | 14 | 8,4  | 25 | 15 |
| 06156-405010      | 06156-4050102      | D    | M10 | 50 | 18 | 10,5 | 32 | 18 |
| 06156-406312      | 06156-4063122      | D    | M12 | 63 | 25 | 13   | 40 | 22 |
| 06156-408016      | 06156-4080162      | D    | M16 | 80 | 25 | 17   | 50 | 28 |

| Order No. tumbled | Order No. polished | Form | D   | D1 | D2 | H  | T  | T1 |
|-------------------|--------------------|------|-----|----|----|----|----|----|
| 06156-504008      | 06156-5040082      | E    | M8  | 40 | 14 | 25 | 15 | 18 |
| 06156-505010      | 06156-5050102      | E    | M10 | 50 | 18 | 32 | 18 | 21 |
| 06156-506312      | 06156-5063122      | E    | M12 | 63 | 25 | 40 | 22 | 25 |
| 06156-508016      | 06156-5080162      | E    | M16 | 80 | 25 | 50 | 28 | 32 |

| Order No.     | Form | Surface finish body | D   | D1 | D2 | H  | L              |
|---------------|------|---------------------|-----|----|----|----|----------------|
| 06156-604008X | L    | tumbled             | M8  | 40 | 14 | 25 | 20/25/30/40/50 |
| 06156-605010X | L    | tumbled             | M10 | 50 | 18 | 32 | 20/25/30/40/50 |
| 06156-606312X | L    | tumbled             | M12 | 63 | 25 | 40 | 20/30/40/50    |